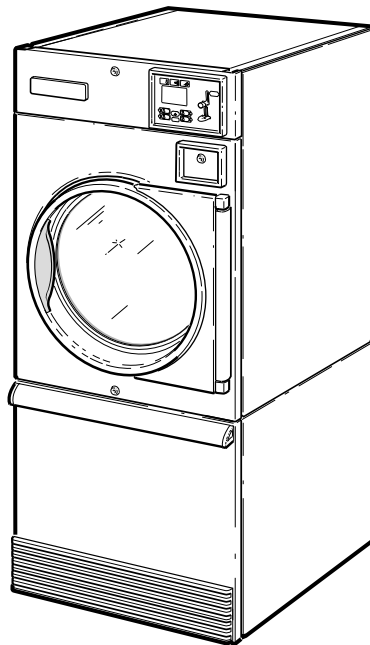


Drying Tumblers

55 Pound Capacity

Refer to Page 5 for Model Numbers



T478C_70407001

Parts

Table of Contents

Title	Page
Parts Ordering Information.....	3
Serial Plate Location	3
Model Identification	5
Product Overview - Heat Source and Voltage	6
Product Overview - Control Suffixes (Drawing 1 of 3).....	8
Product Overview - Control Suffixes (Drawing 2 of 3).....	10
Product Overview - Control Suffixes (Drawing 3 of 3).....	12
Dual Digital Timer Control Components.....	14
DX4 Control Components	16
DMP Control	18
OPL Microprocessor Controls.....	20
Coin Drop Components for MDC Models.....	22
BY and BZ Control Option for MDC Models	24
Coin Drops	26
Coin Drop Kits.....	28
Coin Drop Components for Electronic Control Models	30
Card Reader Components for Electronic Control Models.....	32
Coin Drop Components for Quantum Control.....	34
Card Reader Components for Quantum Control	36
Network Board for Quantum Control.....	38
Communication Board for Quantum Control.....	40
Coin Drop Components for Galaxy 600 Control	42
Card Reader Components for Galaxy 600 Control	44
UniLinc Control	46
LED OPL Control	48
Door and Hinge Components	50
Front Panel Assemblies and False Fronts	52
Cabinet Front Components.....	54
Emergency Stop Button for CE Models	56
Lower Cabinet Components	58
Cylinder Components	60
Cabinet Components	62
Fire Suppression System Components	64
Fire Suppression System Control Box.....	66
Drive Motor Components for Nonreversing Models.....	68
Drive Motor Components for Reversing Models	70
Blower Components.....	72
Moisture Sensing Components.....	74
Rotation Sensor	76
Airflow Switch.....	78
Gas Burner Housing and Secondary Stove Limit	80

© Copyright 2013, Alliance Laundry Systems LLC

All rights reserved. No part of the contents of this book may be reproduced or transmitted in any form or by any means without the expressed written consent of the publisher.

Gas Valve Assembly - Non-CE and Non-Australian Gas Models	82
Gas Valve and Piping - CE and Australian Gas Models	84
Electric Heater Components	86
Control Tray Harnesses for Gas Models.....	88
Control Tray for Non-CE and Non-Australian Gas Models	90
Control Tray Components for CE and Australian Gas Models (Drawing 1 of 2)	92
Control Tray Components for CE and Australian Gas Models (Drawing 2 of 2)	94
Control Tray Harnesses for Electric Models.....	96
Control Tray for Electric Models.....	98
Accessory Box Harnesses for Electric Models.....	100
Accessory Box for Non-CE Electric Models	102
Accessory Box for CE Electric Models.....	104
Parts Index.....	107

Parts Ordering Information

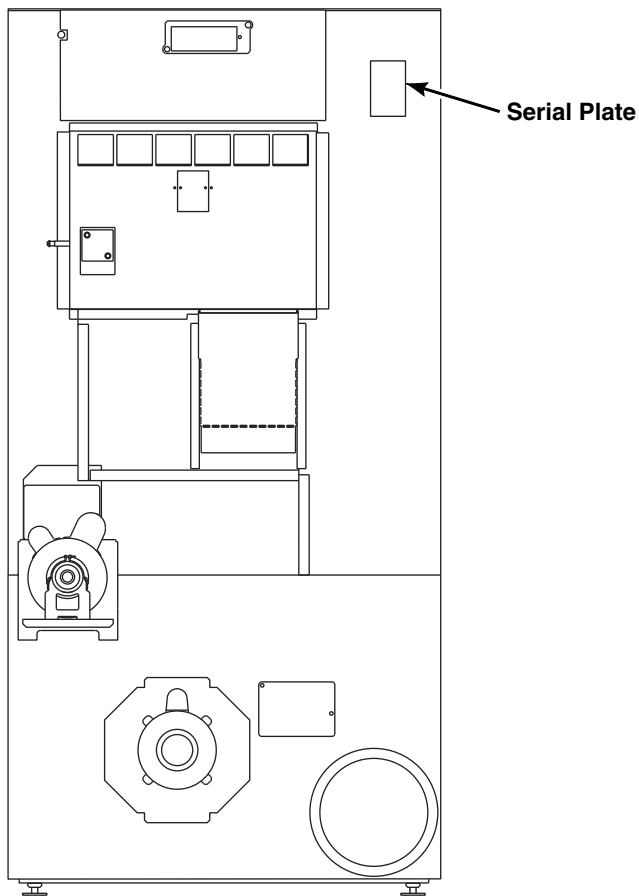
If literature or replacement parts are required, contact the source from whom the machine was purchased or contact Alliance Laundry Systems at (920) 748-3950 for the name and address of the nearest authorized parts distributor.

For technical assistance, call either of the numbers listed below:

(920) 748-3121 Ripon, Wisconsin
+32 56 41 20 54 Wevelgem, Belgium

Serial Plate Location

When calling or writing about your product, be sure to mention model and serial numbers. Model and serial numbers are located on serial plate(s) as shown.



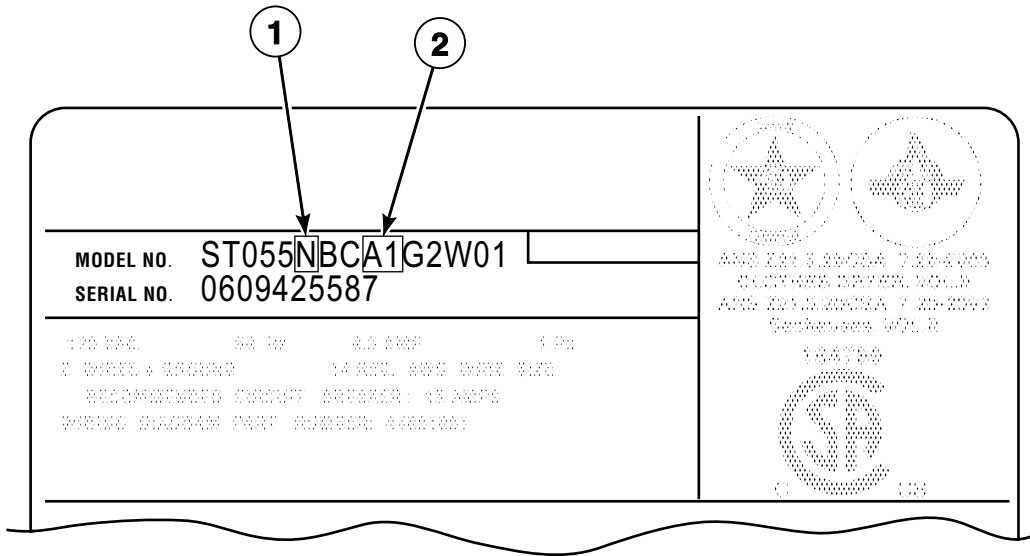
TMB2098N_70407001

Model Identification

Information in this manual is applicable to these tumbler models:

CA055L	HA055L	SA055L
CA055N	HA055N	SA055N
CK055N	HK055N	SK055N
CT055E	HT055D	ST055D
CT055L	HT055E	ST055E
CT055N	HT055L	ST055L
CU055E	HT055N	ST055N
CU055L	HU055E	SU055E
CU055N	HU055L	SU055L
DR55SE2-BT055E	HU055N	SU055N
DR55SE2-BU055E	IPD55E2	UA055L
DR55SG2-BA055L	IPD55G2	UK055N
DR55SG2-BA055N	IT055E	UA055N
DR55SG2-BK055N	IT055L	UT055E
DR55SG2-BT055L	IT055N	UT055L
DR55SG2-BT055N	KA055L	UT055N
DR55SG2-BU055L	KA055N	UU055E
DR55SG2-BU055N	KK055N	UU055L
GA055L	KT055E	UU055N
GA055N	KT055L	
GK055N	KT055N	
GT055E	KU055E	
GT055L	KU055L	
GT055N	KU055N	
GU055E		
GU055L		
GU055N		

Product Overview - Heat Source and Voltage

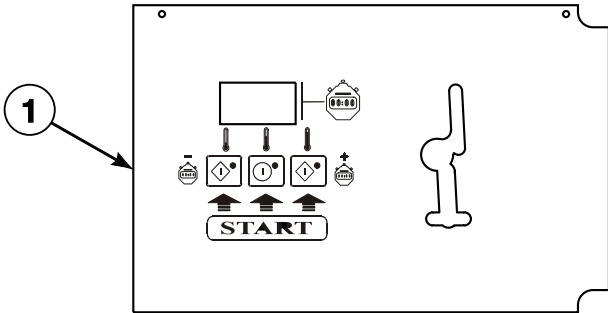
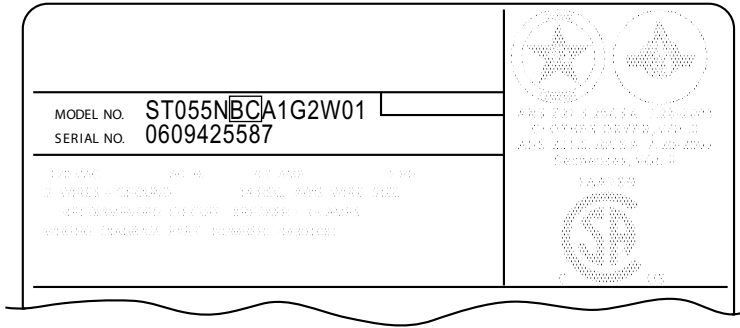


TMB2818P_70407001

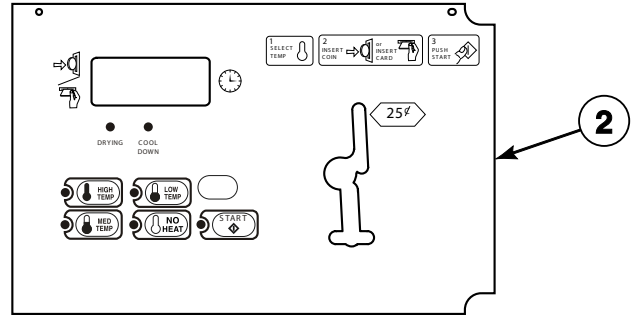
Product Overview - Heat Source and Voltage

REF	PART NO.	DESCRIPTION	COMMENTS
1	-	Heat Source	D: Liquid Petroleum Gas (L.P.) E: Electric L: Liquid Petroleum Gas (L.P.) N: Natural Gas (N.G.)
2	-	Voltage	A1: 100, 200 Volt/50 Hertz/1 Phase A2: 100, 200-220 Volt/60Hertz/1 Phase B2: 120, 208-240 Volt/60 Hertz/1 Phase; For high Amp motors B3: 120, 208-240 Volt/60 Hertz/1 Phase; For low Amp motors F1: 200 Volt/50 Hertz/1 Phase F2: 200 Volt/60 Hertz/1 Phase F4: 200 Volt/50 Hertz/3 Phase F5: 200-208 Volt/60 Hertz/3 Phase F6: 200-208, 240 Volt/60 Hertz/3 Phase G1: 208 Volt/60 Hertz/1 Phase G2: 208-240 Volt/60 Hertz/1 Phase J1: 230 Volt/50 Hertz/1 Phase J2: 230-240 Volt/50 Hertz/1 Phase J4: 240 Volt/60 Hertz/1 Phase J5: 230 Volt/50 Hertz/3 Phase J6: 230-240 Volt/50 Hertz/3 Phase J8: 240 Volt/60 Hertz/3 Phase M1: 380 Volt/50 Hertz/3 Phase M2: 380, 400-415 Volt/50 Hertz/3 Phase M3: 380 Volt/60 Hertz/3 Phase N1: 400-415 Volt/50 Hertz/3 Phase P1: 440 Volt/60 Hertz/3 Phase Q1: 460-480 Volt/60 Hertz/3 Phase

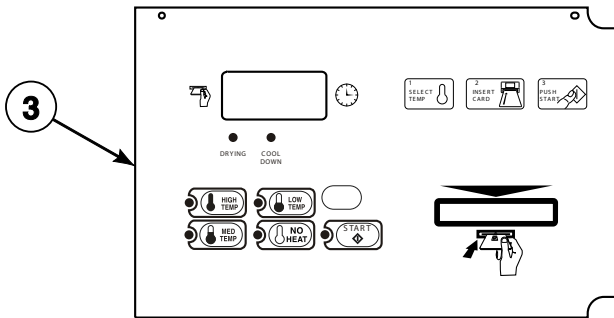
Product Overview - Control Suffixes (Drawing 1 of 3)



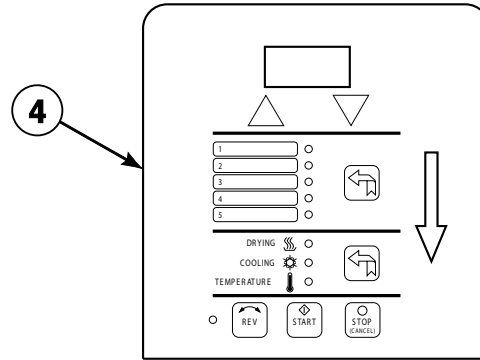
**3B, 3O, 3V, 3W, 3X and R3
Control Suffixes**



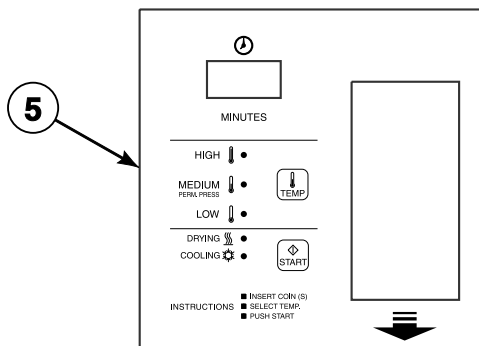
**BB, BC, BW and BX
Control Suffixes**



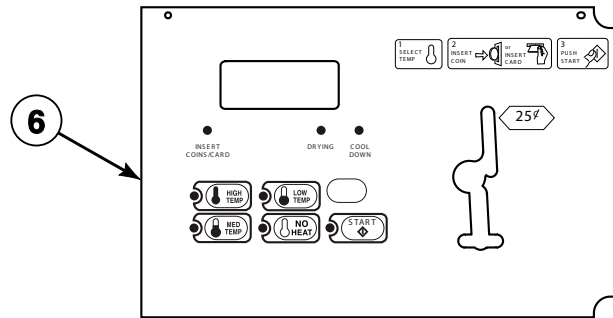
**BL, BY and BZ
Control Suffixes**



**DO
Control Suffix**



**DV and DX
Control Suffixes**



**NC and NX
Control Suffixes**

TMB3187P_70407001

Product Overview - Control Suffixes (Drawing 1 of 3)

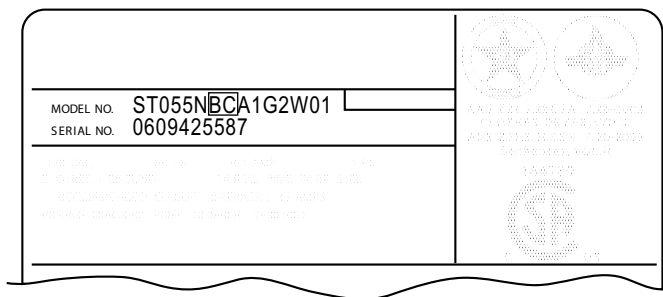
REF	PART NO.	DESCRIPTION	COMMENTS
1	-	Control - Nonreversing	3O: DX4 OPL 3V: DX4 vended 3X: DX4 prep for coin
	-	Control - Reversing	3B: reversing DX4 vended 3W: reversing DX4 prep for coin R3: reversing DX4 OPL
2	-	Control - Nonreversing	BC: basic electronic, coin BX: basic electronic, prep for coin
	-	Control - Reversing	BB: reversing basic electronic, coin BW: reversing basic electronic, prep for coin
3	-	Control - Nonreversing	BL: basic electronic, central pay BY: basic electronic, prep for card
	-	Control - Reversing	BZ: reversing basic electronic, prep for card
4	-	Control - Nonreversing	DO: DMP OPL
5	-	Control - Nonreversing	DV: DMP vended DX: DMP prep for coin
6	-	Control - Nonreversing	NC: NetMaster coin NX: NetMaster, prep for coin

NOTE: Coin models have the following control suffixes: 3B, 3V, 3W, 3X, BB, BC, BW, BX, BZ, DV, DX, NC and NX

NOTE: OPL models have the following control suffixes: 3O, BL, BY, DO and R3

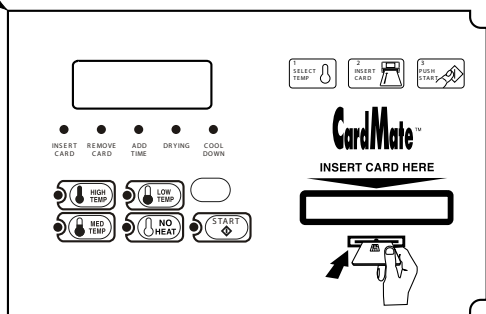
Product Overview - Control Suffixes (Drawing 2 of 3)

All Models Except D Models

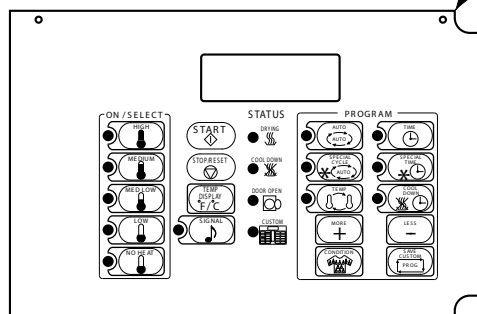


1

2



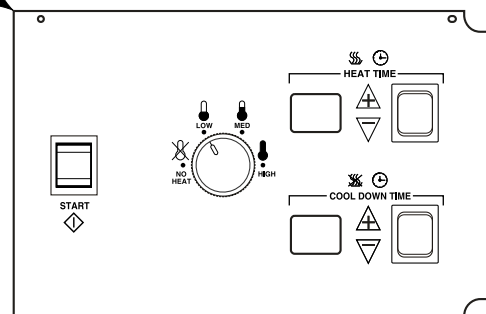
NY Control Suffix



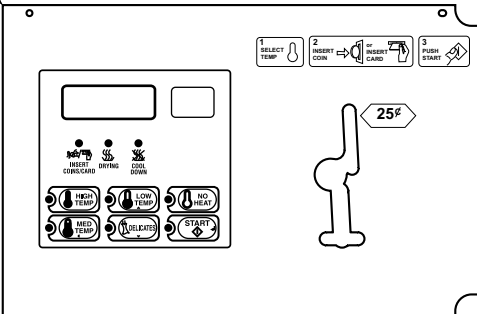
OM Control Suffix

3

4

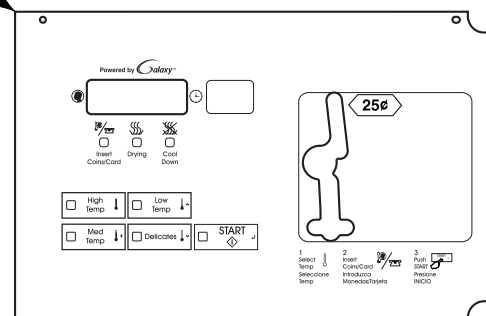


QT and RQ Control Suffixes



**LB, LC, LW, LX, LY, LZ,
WB, WC, WW, WX, WY and WZ
Control Suffixes**

5



**KB, KC, KW, KX, KY and KZ
Control Suffixes**

TMB3188P_70407001

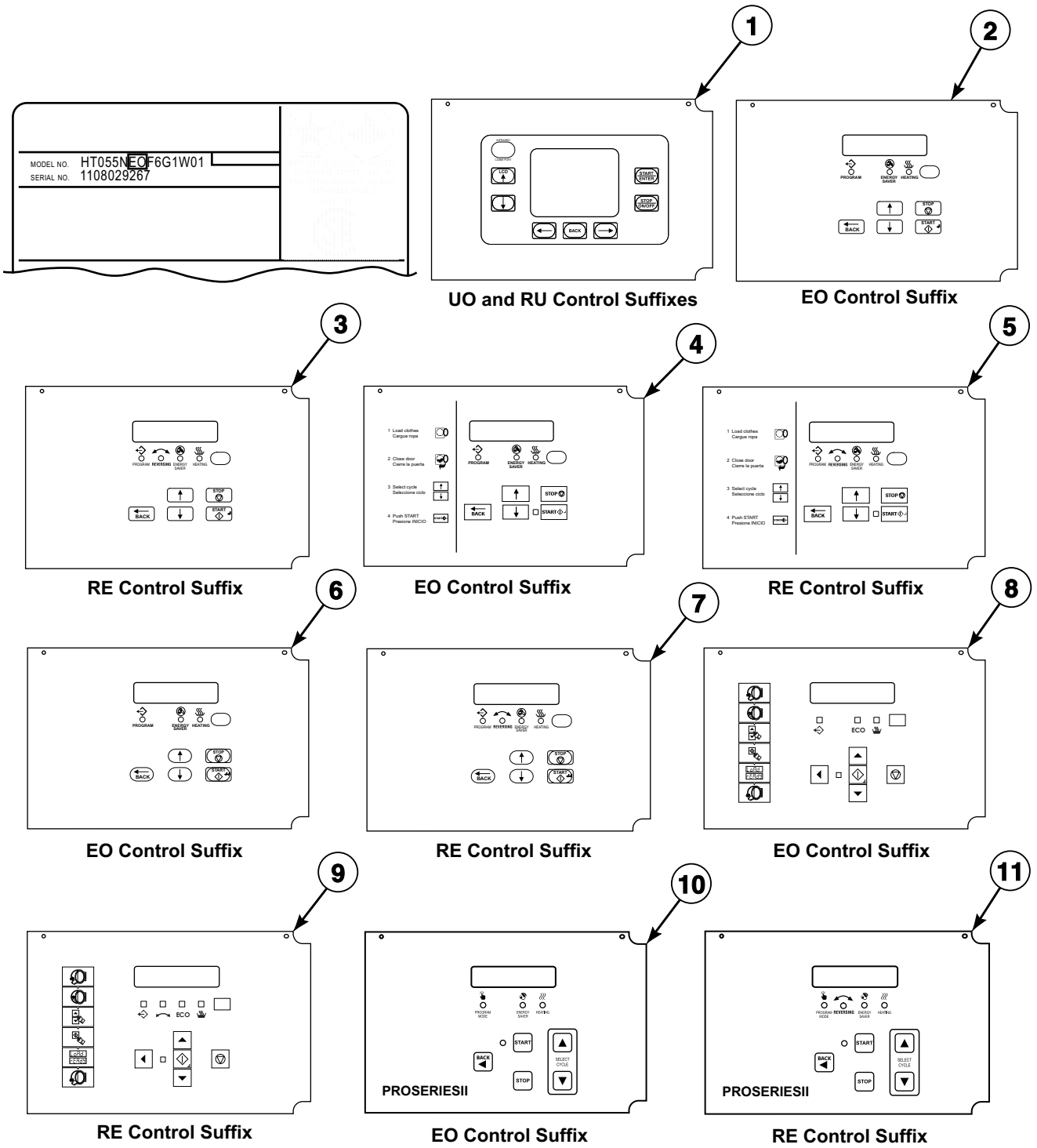
Product Overview - Control Suffixes (Drawing 2 of 3)

REF	PART NO.	DESCRIPTION	COMMENTS
1	-	Control - Nonreversing	NY: NetMaster, prep for card
2	-	Control - Nonreversing	OM: OPL micro
3	-	Control - Nonreversing	QT: dual digital timer
	-	Control - Reversing	RQ: reversing dual digital timer
4	-	Control - Nonreversing	LC: network adaptable coin LX: network adaptable, prep for coin LY: network adaptable, prep for card WC: network ready coin WX: network ready, prep for coin WY: network ready, prep for card
	-	Control - Reversing	LB: reversing network adaptable coin LW: reversing network adaptable, prep for coin LZ: reversing network adaptable, prep for card WB: reversing network ready coin WW: reversing network ready, prep for coin WZ: reversing network ready, prep for card
5	-	Control - Nonreversing	KC: single coin KX: prep for coin KY: prep for card
	-	Control - Reversing	KB: reversing single coin KW: reversing prep for coin KZ: reversing prep for card

NOTE: Coin models have the following control suffixes: KB, KC, KW, KX, KY, KZ, LB, LC, LW, LX, LY, LZ, WB, WC, WW, WX, WY and WZ

NOTE: OPL models have the following control suffixes: NY, OM, QT and RQ

Product Overview - Control Suffixes (Drawing 3 of 3)



TMB3189P_70407001

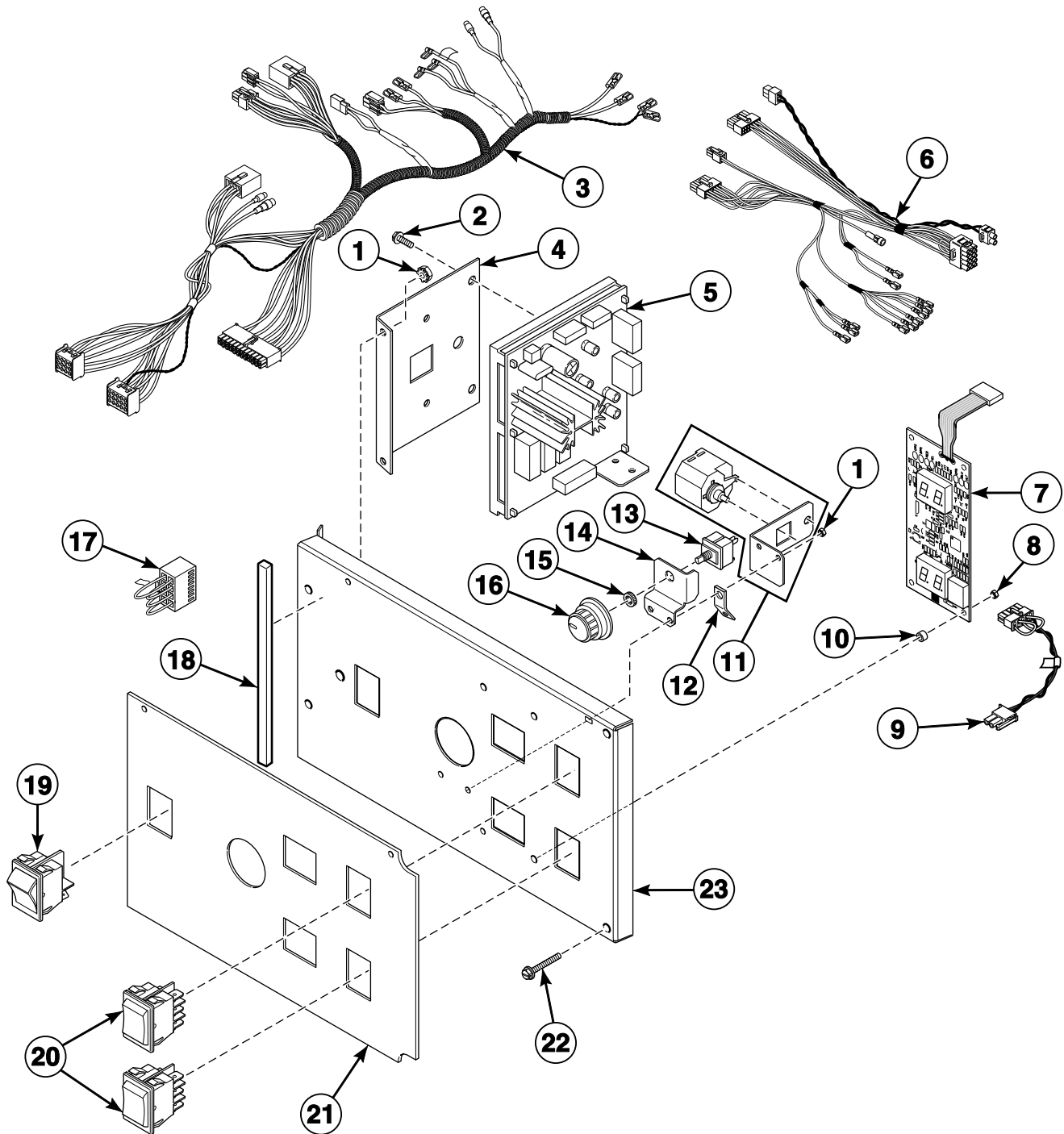
Product Overview - Control Suffixes (Drawing 3 of 3)

REF	PART NO.	DESCRIPTION	COMMENTS
1	-	Control - Nonreversing	U models; UO: UniLinc OPL
	-	Control - Reversing	U models; RU: reversing UniLinc OPL
2	-	Control - Nonreversing	S models; EO: LED OPL
3	-	Control - Reversing	S models; RE: reversing LED OPL
4	-	Control - Nonreversing	H models; EO: LED OPL
5	-	Control - Reversing	H models; RE: reversing LED OPL
6	-	Control - Nonreversing	U models; EO: LED OPL
7	-	Control - Reversing	U models; RE: reversing LED OPL
8	-	Control - Nonreversing	C, D and I models; EO: LED OPL
9	-	Control - Reversing	C, D and I models; RE: reversing LED OPL
10	-	Control - Nonreversing	G and K models; EO: LED OPL
11	-	Control - Reversing	G and K models; RE: reversing LED OPL

NOTE: OPL models have the following control suffixes: EO, RE, RU and UO

Dual Digital Timer Control Components

C, H, I, S and U Models
G and K Models Starting 1/16/12
Models with QT and RQ Control Suffixes



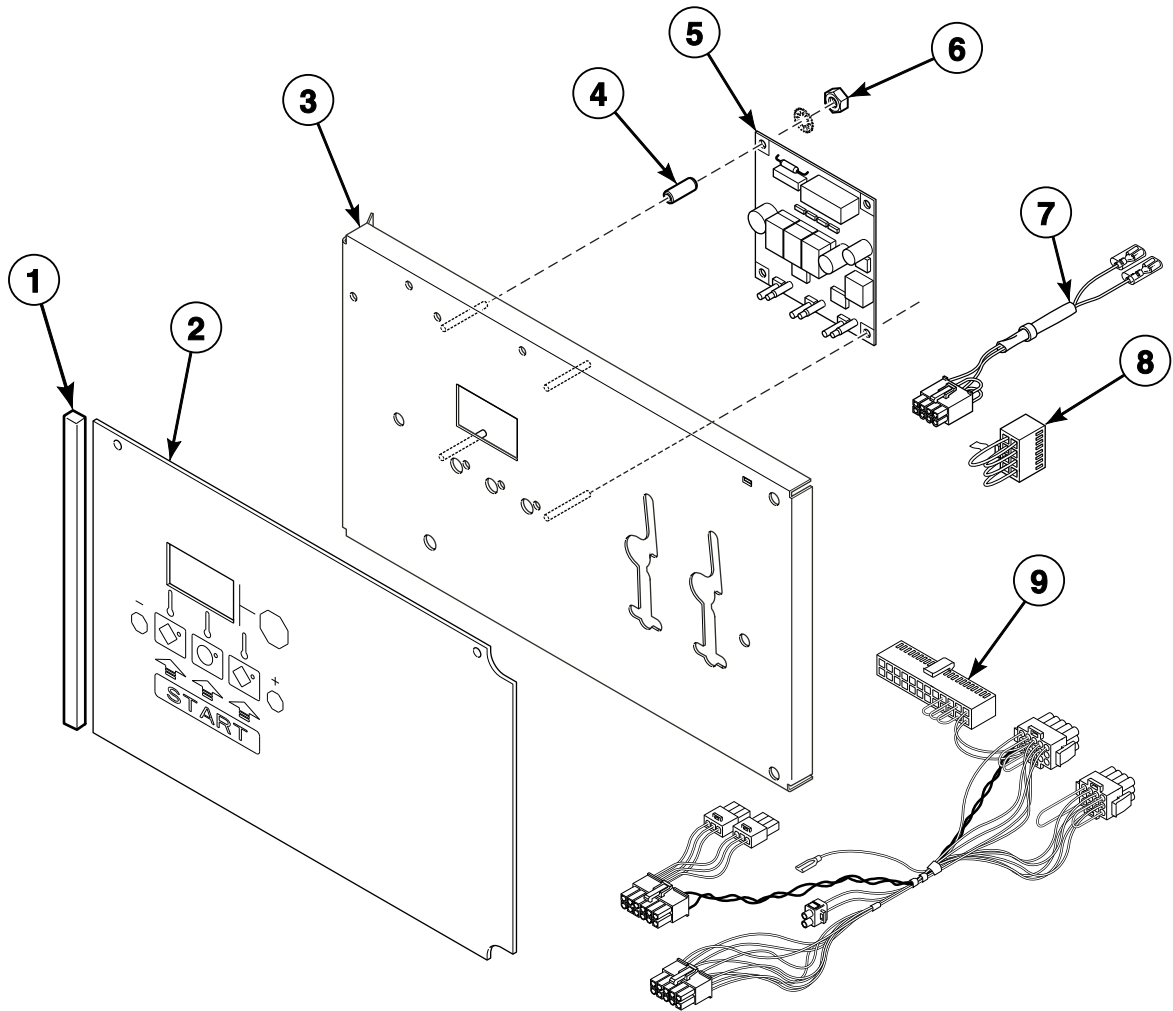
TMB2646P_70407001

Dual Digital Timer Control Components

REF	PART NO.	DESCRIPTION	COMMENTS
	70370201P	Control Set	Includes items 1, 2, 4-8, 10, 12-16, 19, 20 and 23
1	70054	Nut	
2	501524	Screw	
3	70467801	Main Harness	Electric models need 55881 Harness Strap to hold harness out of the way of heater elements; Models through 7/31/11 and starting again 7/9/12
	70441301	Main Harness	Electric models need 55881 Harness Strap to hold harness out of the way of heater elements; Models starting 8/1/11 through 7/8/12
4	70357901	Control Chassis Mounting Bracket	
5	512202P	Control Assembly	
6	70367001P	Control Panel Harness	
7	512218P	Display Assembly	
8	29787	Nut	
9	70324602	Jumper Calibration Wire	
10	56079	Panel Locator	
11	M4860P3	Buzzer Kit	Includes buzzer, bracket and harness
12	00177	Male Tab Terminal	
13	511711	Temperature Selector Switch	
14	70391701	Temperature Selector Switch Bracket	
15	24205	Nut	
16	44104601	Temperature Knob	
17	70364103	Bypass Harness	Non-CE models
18	70414101	Foam Gasket	
19	70455101	Rocker Switch	Start
20	70461301	Rocker Switch	
21	70362201	Overlay	C, G, I, K, S and U models; Nonreversing
	70362202	Overlay	C, G, I, K, S and U models; Reversing
	70362501	Overlay	H models; Nonreversing
	70362502	Overlay	H models; Reversing
22	70069901	Screw	
23	70360601	Control Plate Assembly	

DX4 Control Components

D and I Models with 3B, 3O, 3V, 3W, 3X and R3 Control Suffixes



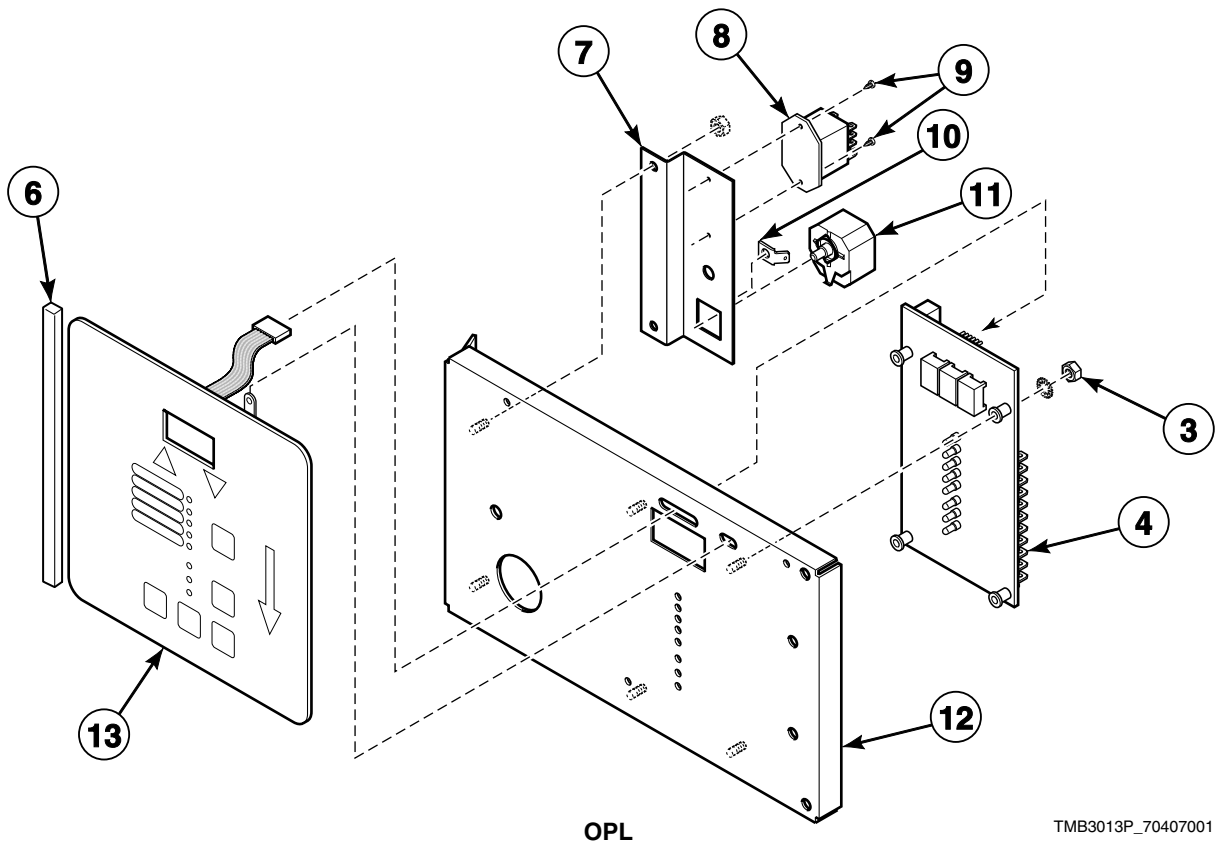
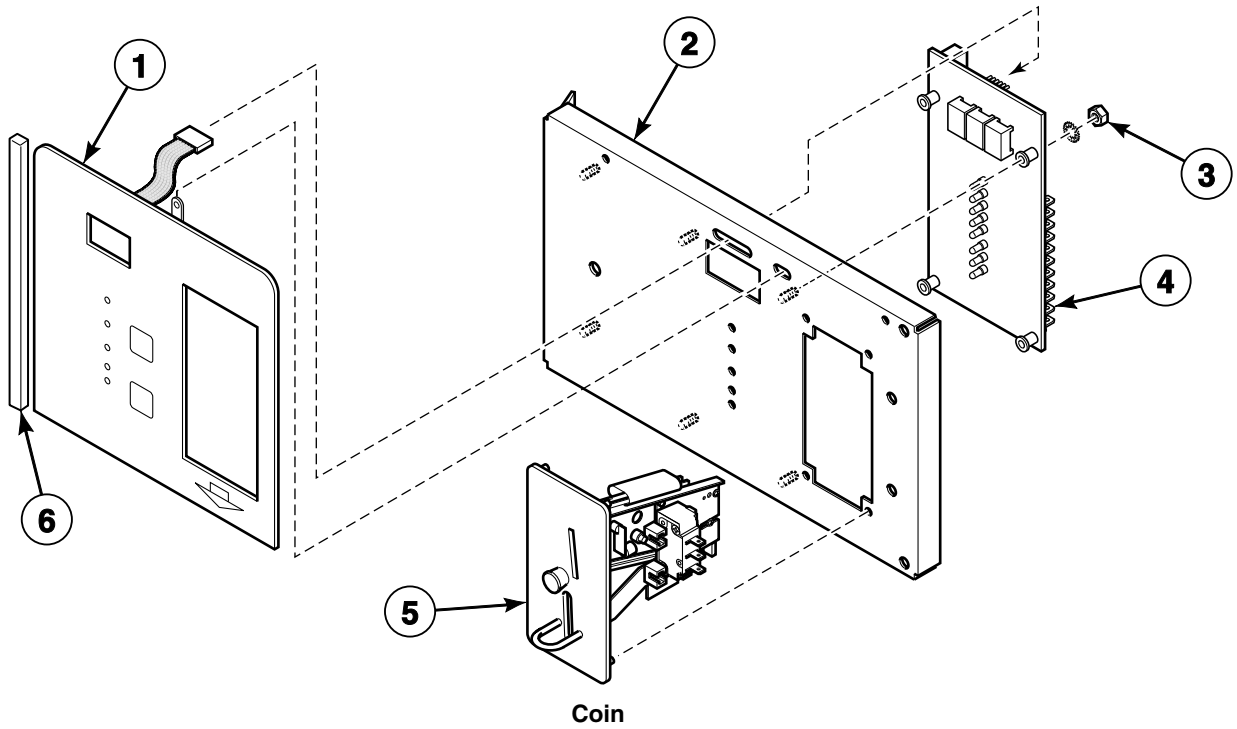
TMB3218P_70407001

DX4 Control Components

REF	PART NO.	DESCRIPTION	COMMENTS
1	70414101	Foam Gasket	
2	44050401	Graphic Overlay	OPL; Models through 7/31/11
	44240501	Graphic Overlay	OPL; Models starting 8/1/11
	44050501	Graphic Overlay	Coin; Single drop; Models through 7/31/11
	44239401	Graphic Overlay	Coin; Single drop; Models starting 8/1/11
	44050502	Graphic Overlay	Coin; Dual drop; Models through 7/31/11
	44239402	Graphic Overlay	Coin; Dual drop; Models starting 8/1/11
3	44050701P	Control Plate Kit	
4	44050601	Sleeve	4 required
5	70462301P	Control Assembly	3O control suffix
	70462302P	Control Assembly	R3 control suffix
	70462361P	Control Assembly	3V and 3X control suffixes
	70462362P	Control Assembly	3B and 3W control suffixes
6	29787	Nut	
7	70364104P	Coin Vault Switch Harness	3V and 3B control suffixes; Non-CE models
8	70364103	Bypass Harness	3O, 3W, 3X and R3 control suffixes; Non-CE models
9	70315701	Control Panel Harness Assembly	Australian and CE models
	70315601P	Control Panel Harness	All other models

DMP Control

C and I Models with DO, DV and DX Control Suffixes
Coin Models Through 4/1/10; OPL Models Through 7/31/11



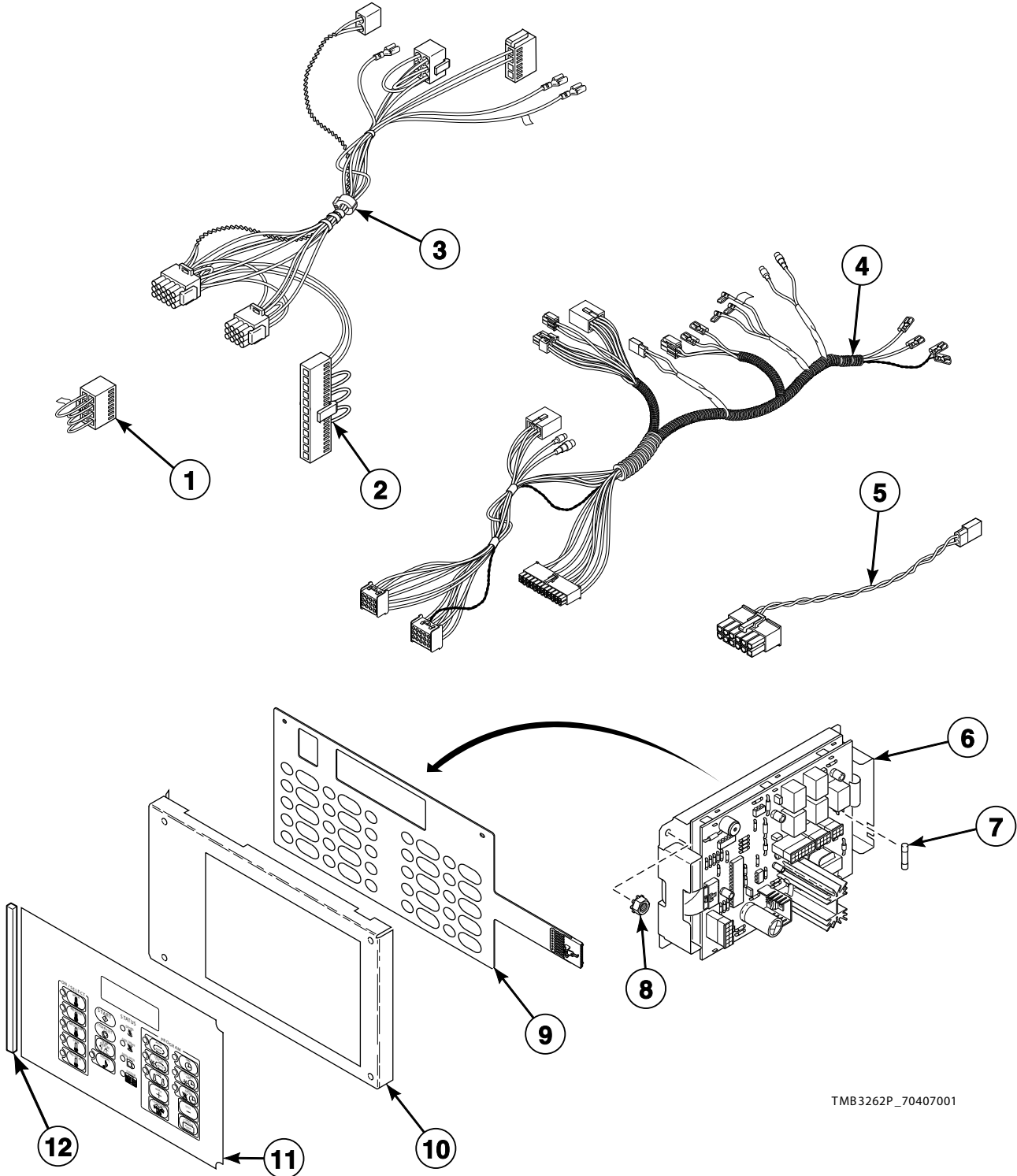
TMB3013P_70407001

DMP Control

REF	PART NO.	DESCRIPTION	COMMENTS
1	44039402P	Membrane Switch	Coin; DV and DX control suffixes
2	44041001	Control Plate Assembly	Coin; Includes studs; DV and DX control suffixes
3	29787	Nut	
4	44037801P	Electronic Control	
5	44039701P	Coin Drop Assembly	United States; \$.25
	44039702	Coin Drop Assembly	Mexico; 2 peso
	44039703	Coin Drop Assembly	Token; .880
	44039704	Coin Drop Assembly	Japan; 100 yen
	44039705	Coin Drop Assembly	England; 20 pence
	44039706	Coin Drop Assembly	Token; .800
	44039707	Coin Drop Assembly	England; 50 pence
6	70414101	Foam Gasket	
7	44041701	Relay/Buzzer Bracket	
8	M412534	Relay	
9	M402797	Screw	
10	00177	Male Tab Terminal	
11	505447	Adjustable Buzzer	
12	44040901	Control Plate Assembly	OPL; Includes studs; DO control suffix
13	44037901P	Membrane Switch	OPL; DO control suffix

OPL Microprocessor Controls

G and K Models Through 1/1/12
H, S and U Models Through 7/31/11
Models with OM Control Suffix



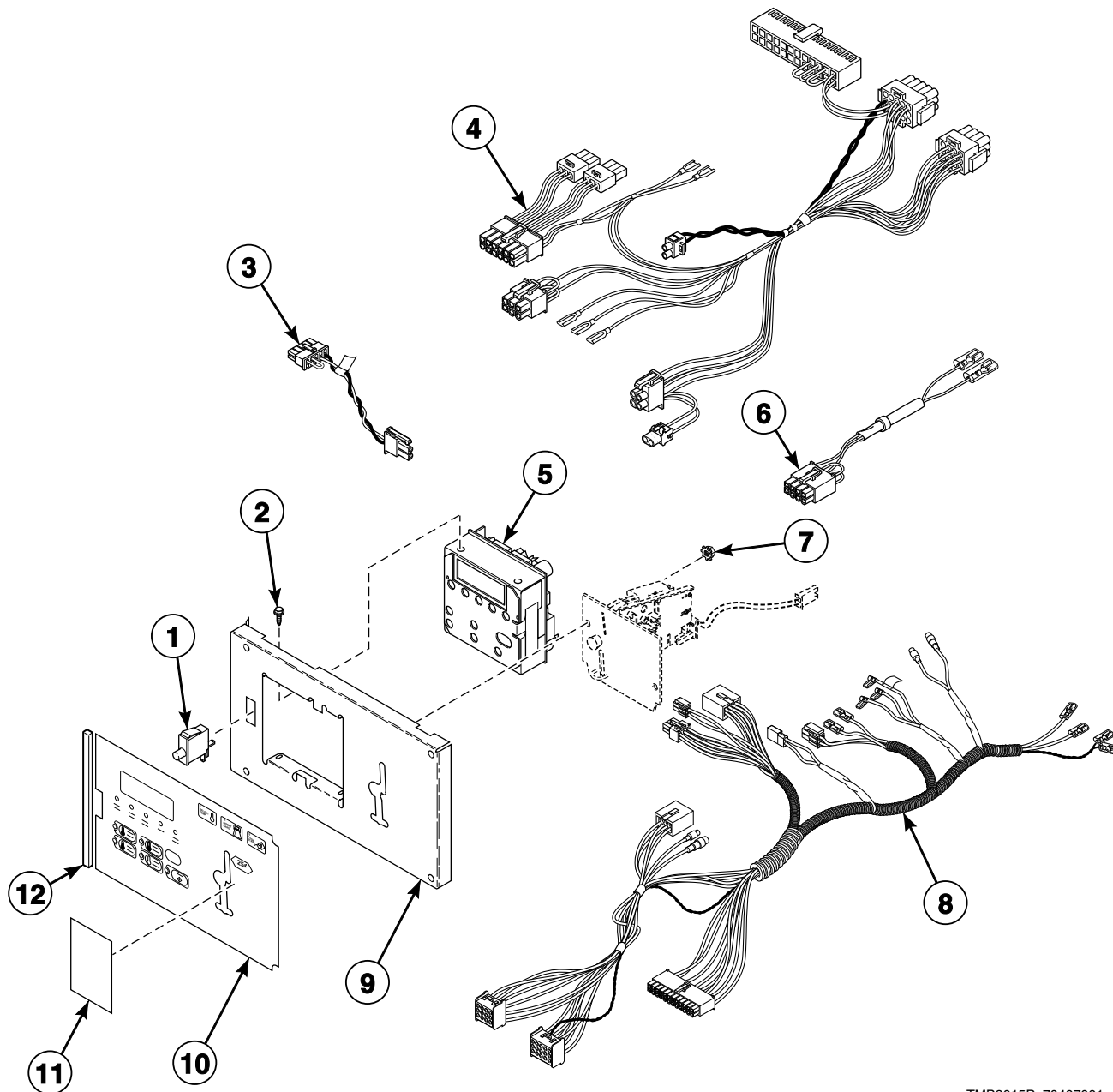
TMB3262P_70407001

OPL Microprocessor Controls

REF	PART NO.	DESCRIPTION	COMMENTS
	M4689P3	Electronic OPL Control Kit	Dual secondary transformers (M414228 Transformer for 100-240 VAC and M414229 Transformer for 380-480 VAC) must be used with this kit; Does not include overlay or harness
	M4457P3	RC Filter Kit	Includes (2) F330217P RC Filter and instructions
1	70364103	Bypass Harness	Non-CE models
2	70335301P	Control Panel Harness	
3	M413930P	Ferrite Core Assembly	
4	70467801	Main Harness	Electric models need 55881 Harness Strap to hold harness out of the way of heater elements; Models through 7/31/11 and starting again 7/9/12
	70441301	Main Harness	Electric models need 55881 Harness Strap to hold harness out of the way of heater elements; Models starting 8/1/11 through 7/8/12
5	70084301	Jumper Calibration Assembly	
6	70228401P	Control Kit	
7	70406501	Fuse	1.25 Amp
8	70054	Nut	
9	M414368P	Membrane Switch	
10	70175805	Control Plate Assembly	Includes studs
11	70115801	Overlay	S and U models; Icon and English
	70130401	Overlay	S and U models; Icon
	70128701	Overlay	H models; Icon and English
	70130601	Overlay	H models; Icon
	44130002	Overlay	G and K models
12	70414101	Foam Gasket	

Coin Drop Components for MDC Models

H, K and S Models with BB, BC, BL, BW and BX Control Suffixes



TMB3015P_70407001

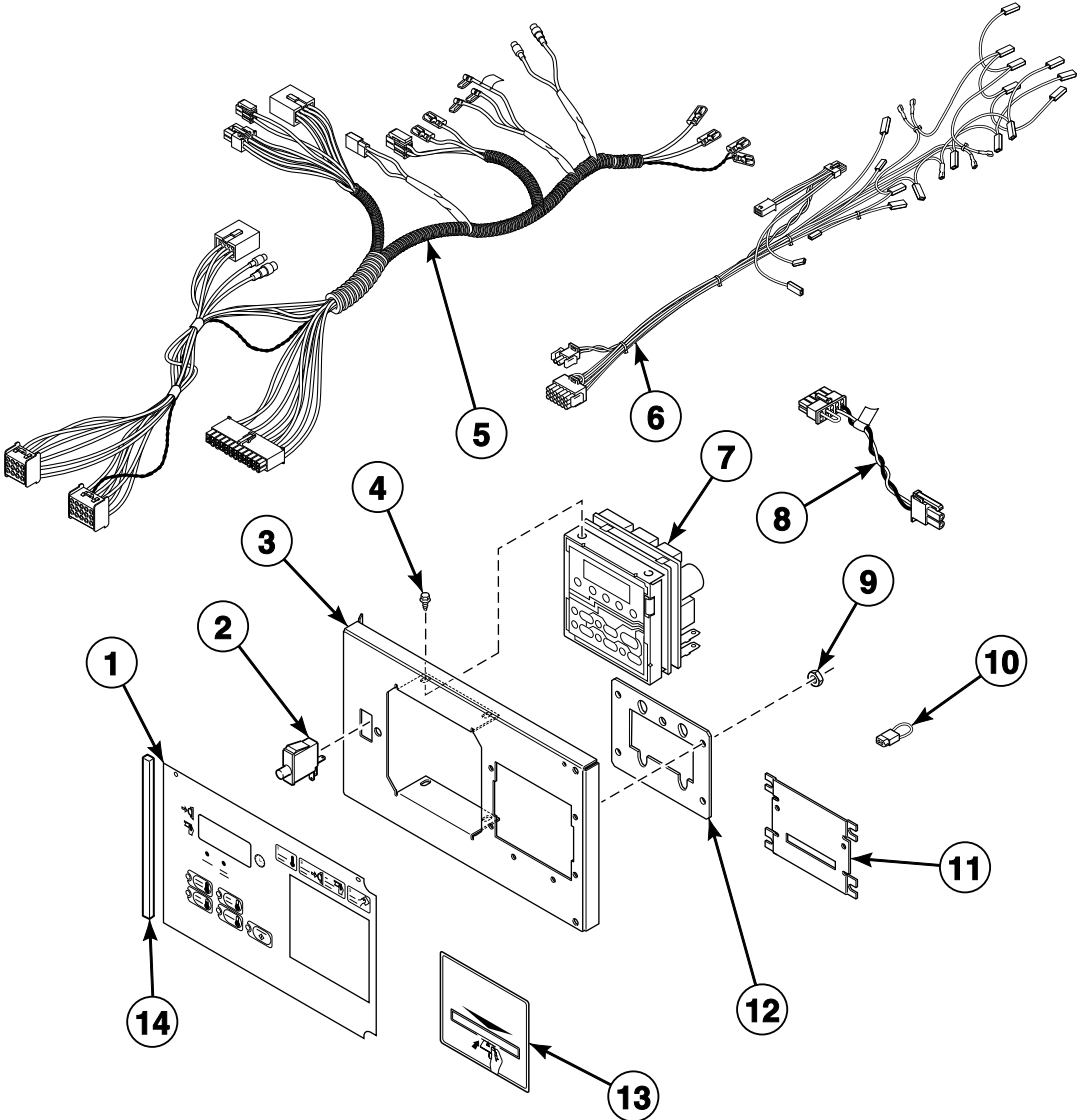
Coin Drop Components for MDC Models

REF	PART NO.	DESCRIPTION	COMMENTS
1	70413301	Pushbutton Switch	
2	501524	Screw	4 required for mounting control
3	70324602	Jumper Calibration Wire	
4	70368001P	Control Panel Harness	Control panel to main harness
5	511867P	Control Assembly	
6	70364104P	Coin Vault Switch Harness	Non-CE models
7	70054	Nut	3 required
8	70467801	Main Harness	Electric models need 55881 Harness Strap to hold harness out of the way of heater elements; Models through 7/31/11 and starting again 7/9/12
	70441301	Main Harness	Electric models need 55881 Harness Strap to hold harness out of the way of heater elements; Models starting 8/1/11 through 7/8/12
9	70175807	Control Plate Assembly	
10	70257701	Overlay	S models; BC, BL* and BX control suffixes; Text; Single drop
	70261001	Overlay	S models; BC, BL* and BX control suffixes; Icon; Single drop
	70257702	Overlay	S models; BC and BX control suffixes; Text; Dual drop
	70261002	Overlay	S models; BC and BX control suffixes; Icon; Dual drop
	70258001	Overlay	H models; BC, BL* and BX control suffixes; Text; Single drop
	70261201	Overlay	H models; BC, BL* and BX control suffixes; Icon; Single drop
	70258002	Overlay	H models; BC and BX control suffixes; Text; Dual drop
	70261202	Overlay	H models; BC and BX control suffixes; Icon; Dual drop
	70258101	Overlay	H models; BC, BL* and BX control suffixes; Text; Single drop
	70453001	Overlay	K models; Text; Single drop
	70453002	Overlay	K models; Text; Dual drop
11	39564	Coin Drop Overlay	S models; BL* control suffix; Cover
	70246301	Coin Cover Overlay	H models; BL* control suffix; Cover
12	70414101	Foam Gasket	

* NOTE: BL control suffix requires an overlay and overlay cover specific to model.

BY and BZ Control Option for MDC Models

H, K and S Models



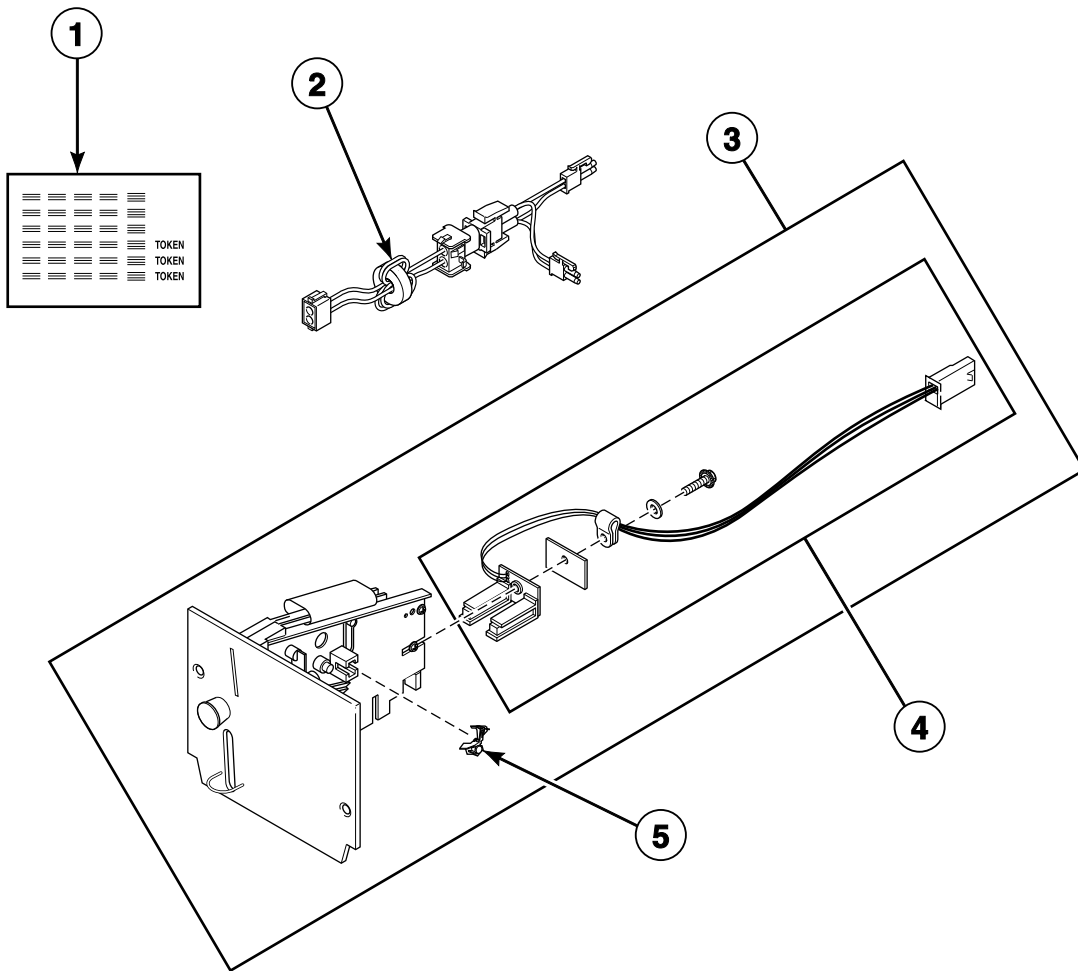
TMB3016P_70407001

BY and BZ Control Option for MDC Models

REF	PART NO.	DESCRIPTION	COMMENTS
1	70257703	Overlay	S models; Text or icon
	70258003	Overlay	H models; Text or icon
	70453101	Overlay	K models
2	70413301	Pushbutton Switch	
3	70348801	Control Plate Assembly	
4	501524	Screw	4 required
5	70467801	Main Harness	Electric models need 55881 Harness Strap to hold harness out of the way of heater elements; Models through 7/31/11 and starting again 7/9/12
	70441301	Main Harness	Electric models need 55881 Harness Strap to hold harness out of the way of heater elements; Models starting 8/1/11 through 7/8/12
6	70368001P	Control Panel Harness	
7	511867P	Control Assembly	
8	70324602	Jumper Calibration Wire	
9	70054	Nut	
10	70364103	Bypass Harness	Non-CE models
11	44089501	Slot Card Plate Assembly	Included in literature packet
12	70208801	Mounting Plate	
13	70334201	Card Reader Overlay	Black; Included in literature packet
	70334301	Card Reader Overlay	Gray; Included in literature packet
14	70414101	Foam Gasket	

Coin Drops

All Models Except U Models



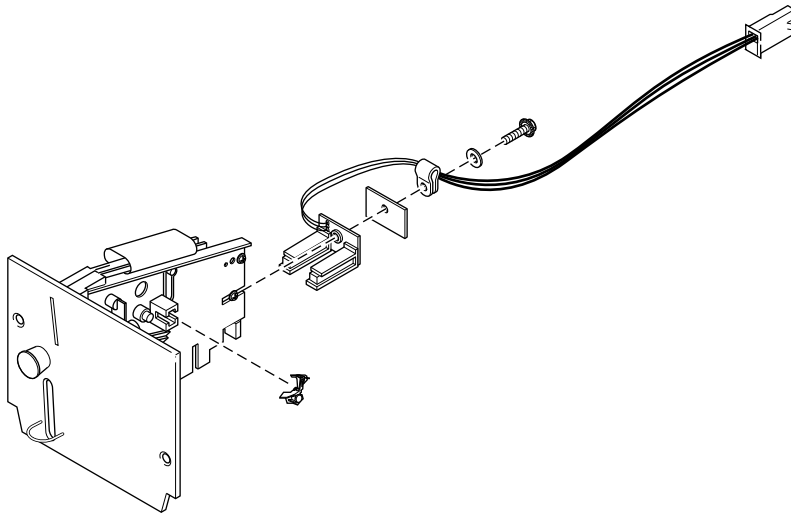
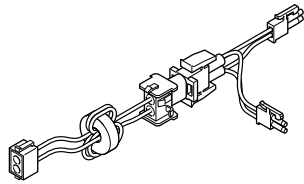
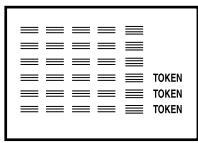
TMB2921P_70407001

Coin Drops

REF	PART NO.	DESCRIPTION	COMMENTS
1	38725	Coin Identification Paper	
2	44065801	Electronic Coin Drop Harness	
3	70294103P	Electronic Coin Drop Assembly	United Kingdom (default) and Europe
	70294104	Electronic Coin Drop Assembly	Europe (default), Denmark and Norway
	70294105P	Electronic Coin Drop Assembly	Australia (default), New Zealand, Hong Kong, South Korea and Malaysia
	70294106	Electronic Coin Drop Assembly	Mexico (default), Ecuador and United States
	70294107	Electronic Coin Drop Assembly	Lithuania (default), Latvia and Europe
	70294111	Electronic Coin Drop Assembly	Euro; .10, .20, .50, 1.00 and 2.00
	70294116	Electronic Coin Drop Assembly	Malaysia (default) and China
	70294117	Electronic Coin Drop Assembly	Russia; 5.00 and 10.00
	70294119	Electronic Coin Drop Assembly	Thailand; 1, 5 and 10 Baht
	70294120	Electronic Coin Drop Assembly	Chile; Chilean peso
	70294121	Electronic Coin Drop Assembly	Singapore
	70441601P	Coin Drop	USA; \$.25
	70256402P	Coin Drop	USA; Dual; \$.25 and \$1.00
	70429001	Coin Drop	D models; USA
	38475	Coin Drop Assembly	Japan; 100 yen
	38519	Coin Drop Assembly	Japan; 100 and 500 yen
	38467	Coin Drop Assembly	Australia; .20 and 1.00
	70447301	Coin Drop Assembly	Australia; 1.00 and 2.00
	70482401	Coin Drop Assembly	New Zealand; 1.00 and 2.00
	210195	Coin Drop Assembly	Euro; .20 and 1.00
	210196	Coin Drop Assembly	Euro; .50 and 1.00
	38462P	Coin Drop Assembly	Token; STD-118-1
	38463	Coin Drop Assembly	Token; STD-118-5
	70471601	Coin Drop Assembly	Token; 7K
	38464P	Coin Drop Assembly	Canada; .25
	70441602	Coin Drop Assembly	Canada; .25 and 1.00
	38472	Coin Drop Assembly	England; 20 pence and 1 pound
38521	Coin Drop Assembly	Korea; 100 and 500 won	
38963P	Coin Drop	Token; STD-118-16	
39157	Coin Drop Assembly	Israel; Shekel	
CK077	Coin Drop Kit	Taiwan; 10 NT	
4	200674P	Opto Coupler	
5	201595P	Wire Guard	

Coin Drop Kits

All Models Except U Models



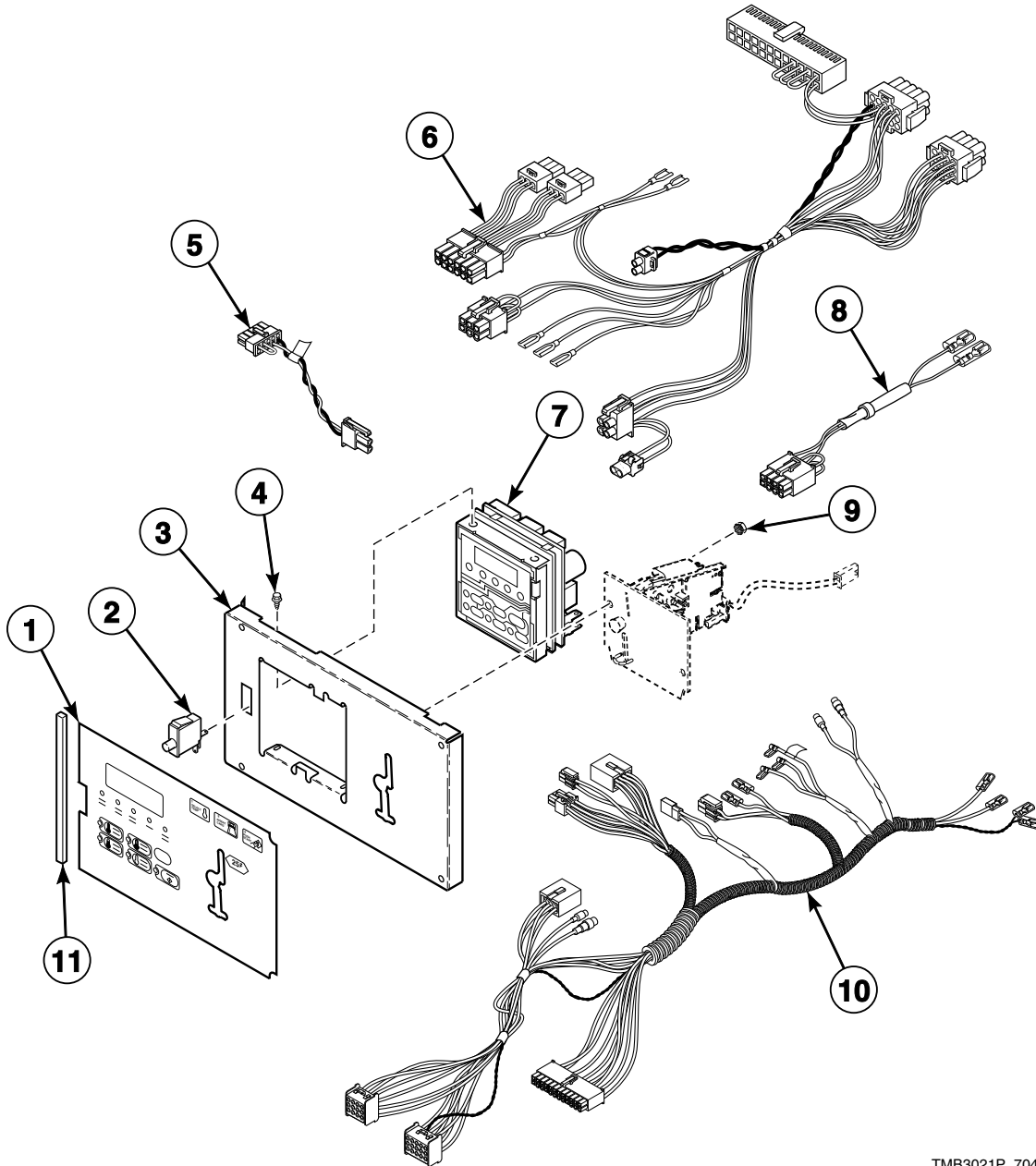
TMB2921PA_70407001

Coin Drop Kits

REF	PART NO.	DESCRIPTION	COMMENTS
	CK115	Electronic Coin Drop Kit	USA and Canada
	CK099	Electronic Coin Drop Kit	Australia (default), New Zealand, Hong Kong, South Korea and Malaysia
	CK100	Electronic Coin Drop Kit	United Kingdom (default) and Europe
	CK101	Electronic Coin Drop Kit	Europe (default), Denmark and Norway
	CK103	Electronic Coin Drop Kit	Lithuania (default), Latvia and Europe
	CK108	Electronic Coin Drop Kit	South Africa
	CK109	Electronic Coin Drop Kit	Euro
	CK113	Electronic Coin Drop Kit	Japan and Taiwan
	CK116	Electronic Coin Drop Kit	Malaysia (default) and China
	CK117	Electronic Coin Drop Kit	Russia
	CK118	Electronic Coin Drop Kit	Philippine
	CK119	Electronic Coin Drop Kit	Thailand
	CK120	Electronic Coin Drop Kit	Chile
	CK121	Electronic Coin Drop Kit	Singapore
	CK122	Electronic Coin Drop Kit	New Zealand; 1.00 and 2.00

Coin Drop Components for Electronic Control Models

K Models Through Serial No. 1101018349 with NC and NX Control Suffixes



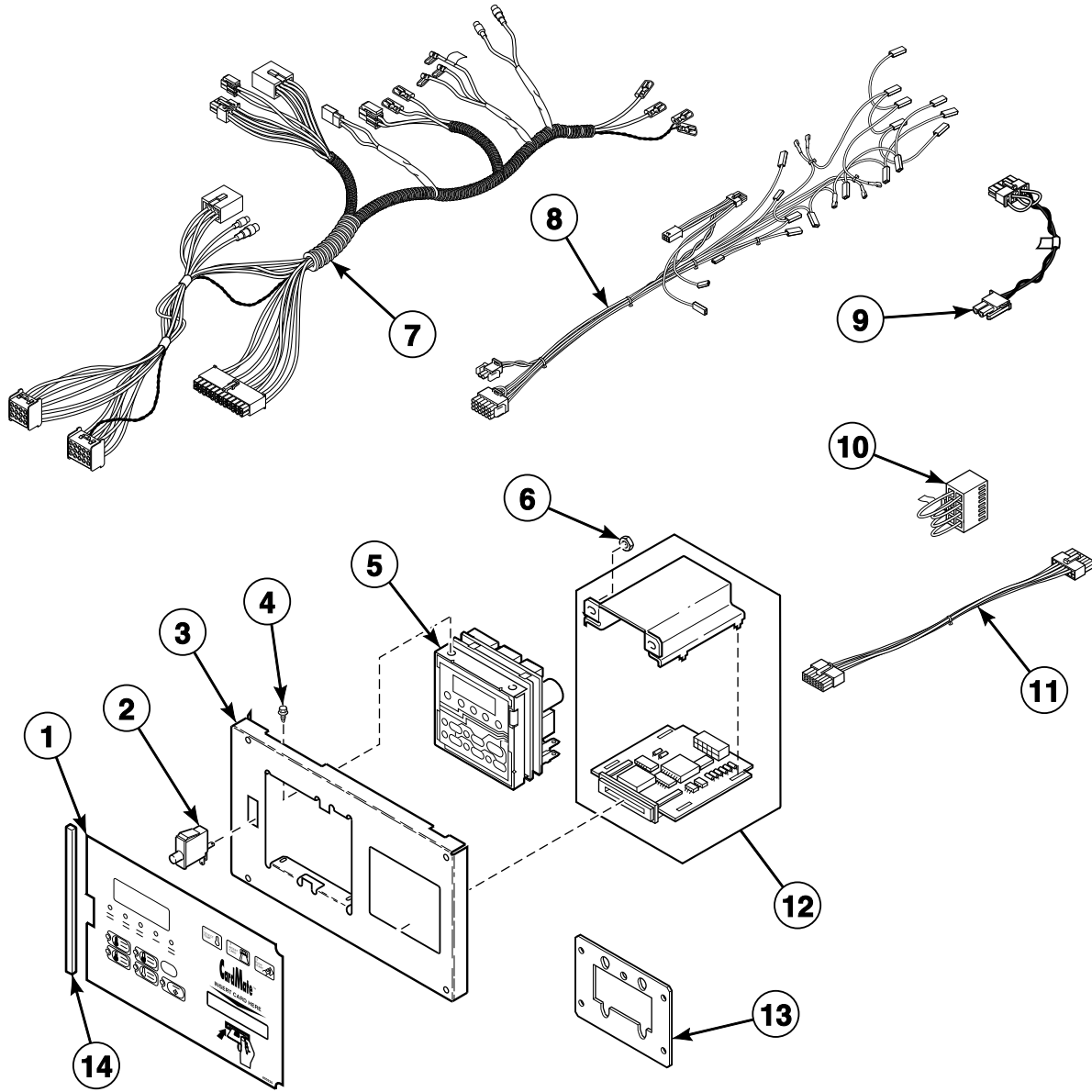
TMB3021P_70407001

Coin Drop Components for Electronic Control Models

REF	PART NO.	DESCRIPTION	COMMENTS
1	44144301	Overlay	Single drop
	44144302	Overlay	Dual drop
2	70413301	Pushbutton Switch	
3	70419701	Control Plate Assembly	
4	501524	Screw	For mounting electronic control
5	70324602	Jumper Calibration Wire	
6	70368001P	Control Panel Harness	
7	505905P	Control Kit	
8	70364104P	Coin Vault Switch Harness	Non-CE models
9	70054	Nut	
10	70467801	Main Harness	Electric models need 55881 Harness Strap to hold harness out of the way of heater elements
11	70414101	Foam Gasket	

Card Reader Components for Electronic Control Models

K Models Through Serial No. 1101018349 with NY Control Suffix



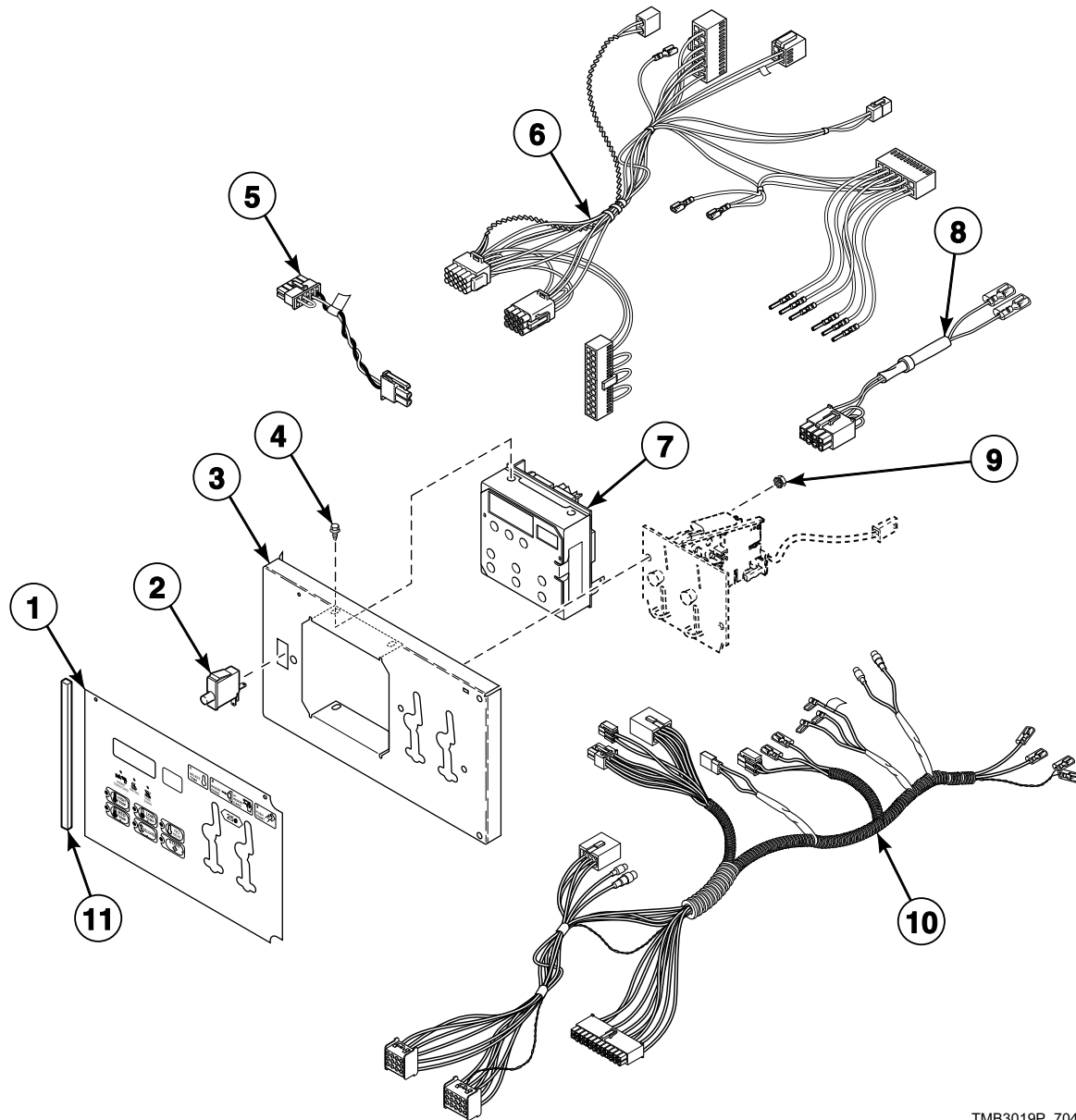
TMB3018P_70407001

Card Reader Components for Electronic Control Models

REF	PART NO.	DESCRIPTION	COMMENTS
1	44149301	Overlay	
2	70413301	Pushbutton Switch	
3	70348801	Control Plate Assembly	Card ready models
4	501524	Screw	
5	505905P	Control Kit	
6	70054	Nut	
7	70467801	Main Harness	Electric models need 55881 Harness Strap to hold harness out of the way of heater elements
8	70368001P	Control Panel Harness	
9	70324602	Jumper Calibration Wire	
10	70364103	Bypass Harness	Non-CE models
11	70206601	Card Reader Network Harness Assembly	Card reader to network board
	70211801	Card Reader Harness Assembly	Card reader to control
12	510068P	Card Reader and Bracket Assembly	
13	70208801	Mounting Plate	Use with item 3
14	70414101	Foam Gasket	

Coin Drop Components for Quantum Control

S Models with LB, LC, LW, LX, WB, WC, WW and WX Control Suffixes



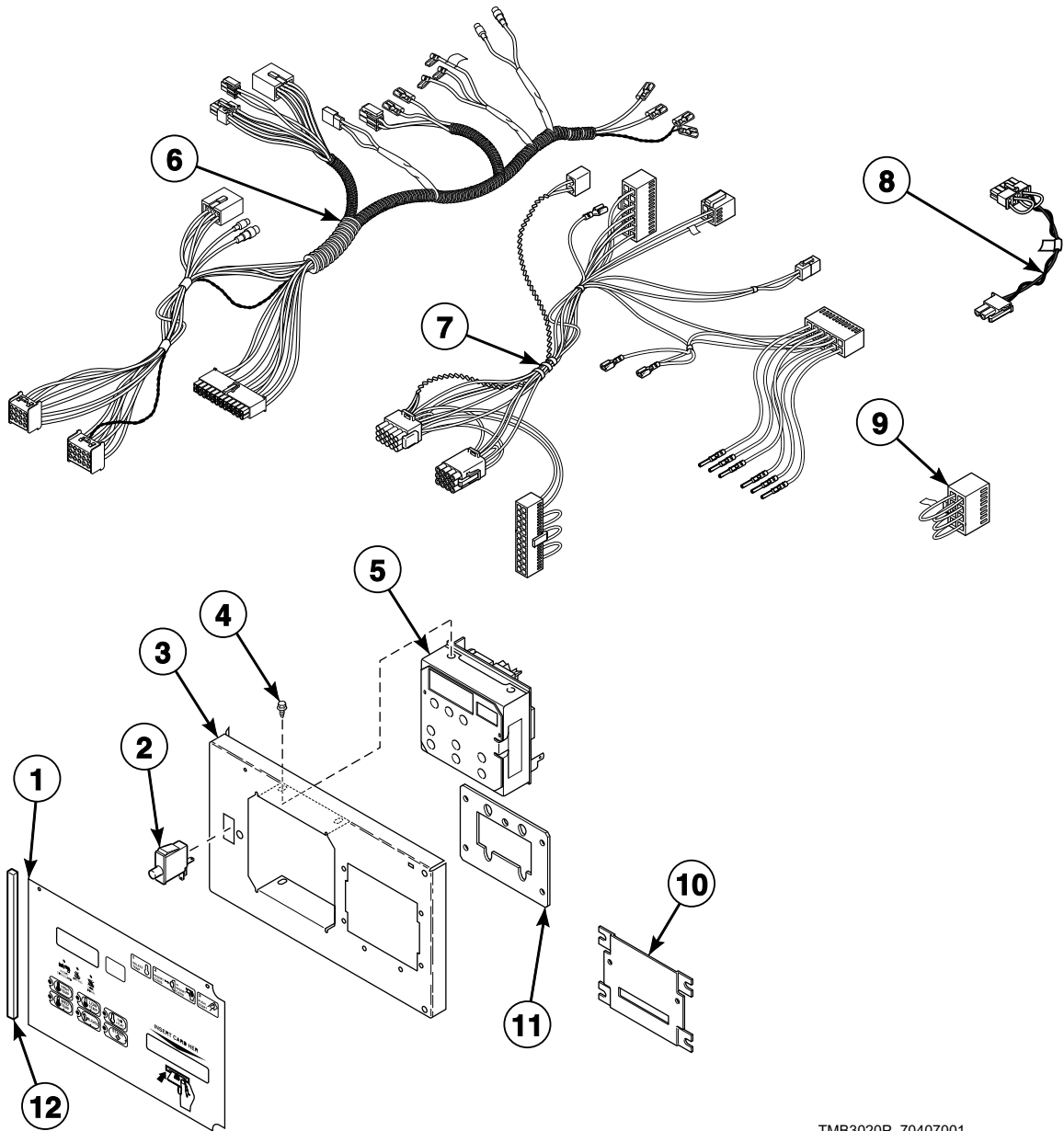
TMB3019P_70407001

Coin Drop Components for Quantum Control

REF	PART NO.	DESCRIPTION	COMMENTS
	NK206	Network Retrofit Kit	LC and LX control suffixes; Wired
	NK220	Network Controller Kit	LC and LX control suffixes; Wired
	NK301	Wireless Network Kit	LC and LX control suffixes; Wireless
	NK320	Ethernet Gateway Kit	LC and LX control suffixes; Wireless
	NK330	USB Gateway Kit	LC and LX control suffixes; Wireless
1	44194801	Control Overlay	Model ST055D
	70449501	Control Overlay	Model ST055D
	70473301	Control Overlay	Model ST055D
	70410001	Control Overlay	Single drop; All models except ST055D
	70410002	Control Overlay	Dual drop; All models except ST055D
2	70413301	Pushbutton Switch	
3	70291001P	Control Plate Kit	
4	501524	Screw	For mounting item 7
5	70324602	Jumper Calibration Wire	
6	70410401P	Control Panel Harness	
7	70450501P	Control Assembly	Nonreversing
	70450503	Control Assembly	Reversing
8	70364104P	Coin Vault Switch Harness	Non-CE models
9	70054	Nut	
10	70467801	Main Harness	Electric models need 55881 Harness Strap to hold harness out of the way of heater elements; Models through 7/31/11 and starting again 7/9/12
	70441301	Main Harness	Electric models need 55881 Harness Strap to hold harness out of the way of heater elements; Models starting 8/1/11 through 7/8/12
11	70414101	Foam Gasket	

Card Reader Components for Quantum Control

S Models with LY, LZ, WY and WZ Control Suffixes



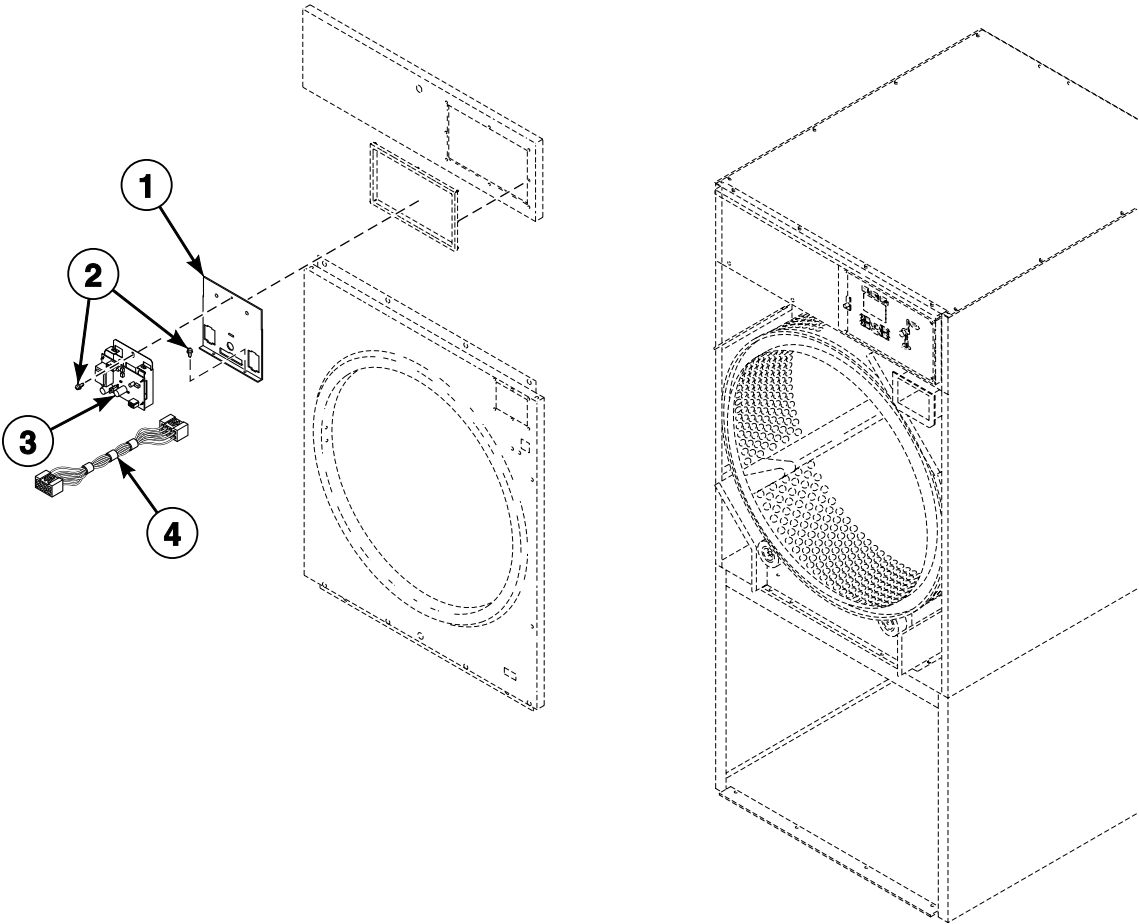
TMB3020P_70407001

Card Reader Components for Quantum Control

REF	PART NO.	DESCRIPTION	COMMENTS
	NK206	Network Retrofit Kit	LY control suffix; Wired
	NK220	Network Controller Kit	LY control suffix; Wired
	NK301	Wireless Network Kit	LY control suffix; Wireless
	NK320	Ethernet Gateway Kit	LY control suffix; Wireless
	NK330	USB Gateway Kit	LY control suffix; Wireless
1	70410003	Overlay	
2	70413301	Pushbutton Switch	
3	70348801	Control Plate Assembly	
4	501524	Screw	
5	70450501P	Control Assembly	Nonreversing
	70450503	Control Assembly	Reversing
6	70467801	Main Harness	Electric models need 55881 Harness Strap to hold harness out of the way of heater elements; Models through 7/31/11 and starting again 7/9/12
	70441301	Main Harness	Electric models need 55881 Harness Strap to hold harness out of the way of heater elements; Models starting 8/1/11 through 7/8/12
7	70410401P	Control Panel Harness	
8	70324602	Jumper Calibration Wire	
9	70364103	Bypass Harness	Non-CE models
10	44089501	Slot Card Plate Assembly	
11	70208801	Mounting Plate	
12	70414101	Foam Gasket	

Network Board for Quantum Control

S Models with WB, WC, WW, WX, WY and WZ Control Suffixes



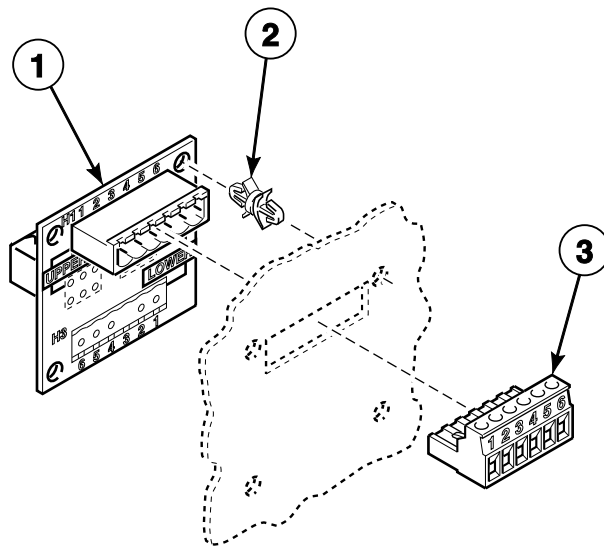
TMB2928P_70407001

Network Board for Quantum Control

REF	PART NO.	DESCRIPTION	COMMENTS
	800246	Communication Wire Harness Assembly	
1	70307002	Control Housing Cover	
2	430497	Screw	
3	201341	Network Board Assembly	
4	44088501P	Network Wire Harness Assembly	

Communication Board for Quantum Control

S Models with WB and WC Control Suffixes



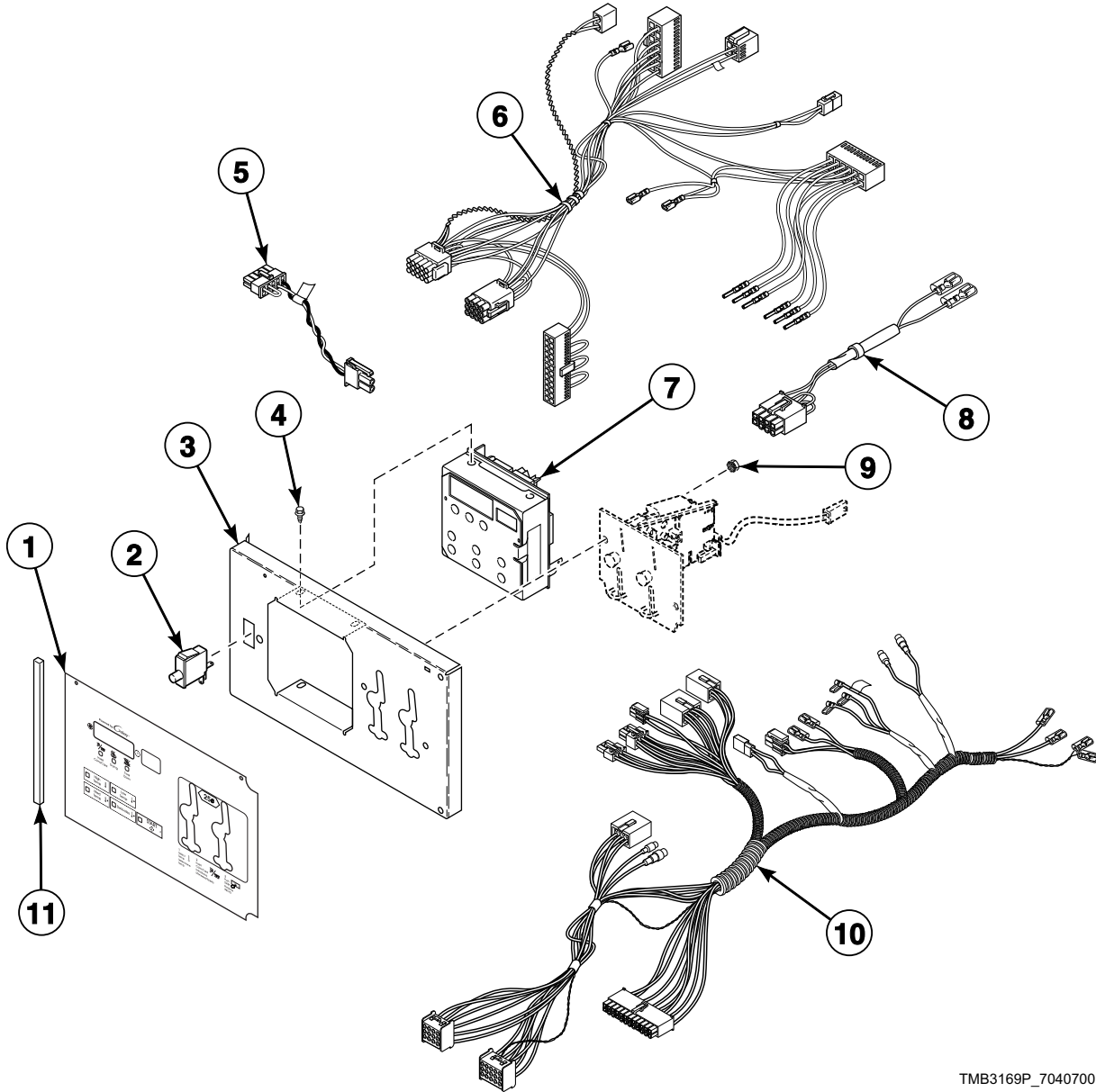
TMB1935P_70407001

Communication Board for Quantum Control

REF	PART NO.	DESCRIPTION	COMMENTS
1	210095P	Communication Board	
2	210098	PC Board Standoff	4 required
3	210099	Communication Connector	

Coin Drop Components for Galaxy 600 Control

H Models with KB, KC, KW and KX Control Suffixes



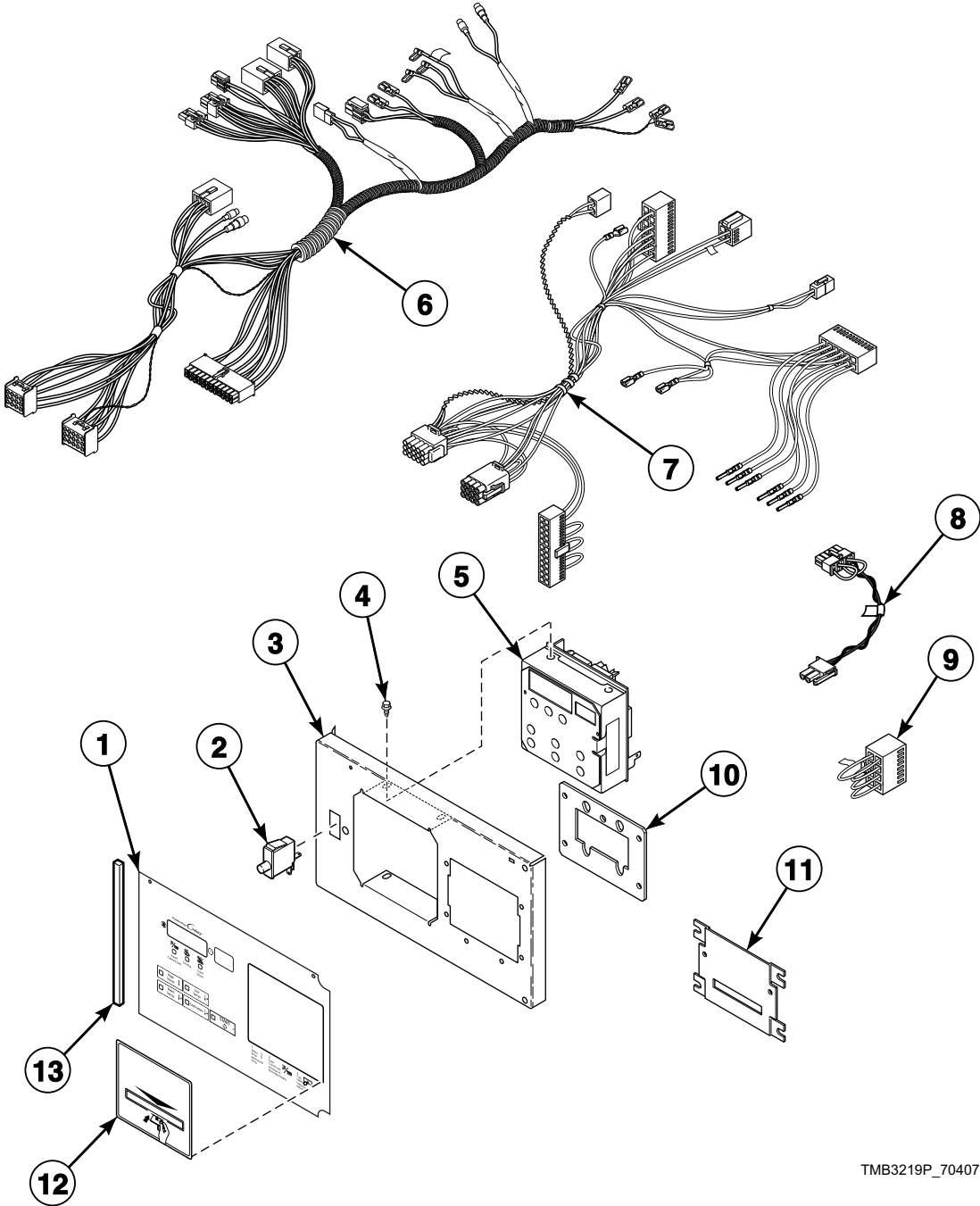
TMB3169P_70407001

Coin Drop Components for Galaxy 600 Control

REF	PART NO.	DESCRIPTION	COMMENTS
1	70473001	Control Overlay	Single drop
	70473002	Control Overlay	Dual drop
2	70413301	Pushbutton Switch	
3	70291001P	Control Plate Kit	
4	501524	Screw	For mounting item 7
5	70324602	Jumper Calibration Wire	
6	70410401P	Control Panel Harness	
7	70450502	Control Assembly	Nonreversing
	70450504	Control Assembly	Reversing
8	70364104P	Coin Vault Switch Harness	Non-CE models
9	70054	Nut	
10	70467801	Main Harness	
11	70414101	Foam Gasket	6 inches required; Mounts to front of overlay, even with edge

Card Reader Components for Galaxy 600 Control

H Models with KY and KZ Control Suffixes



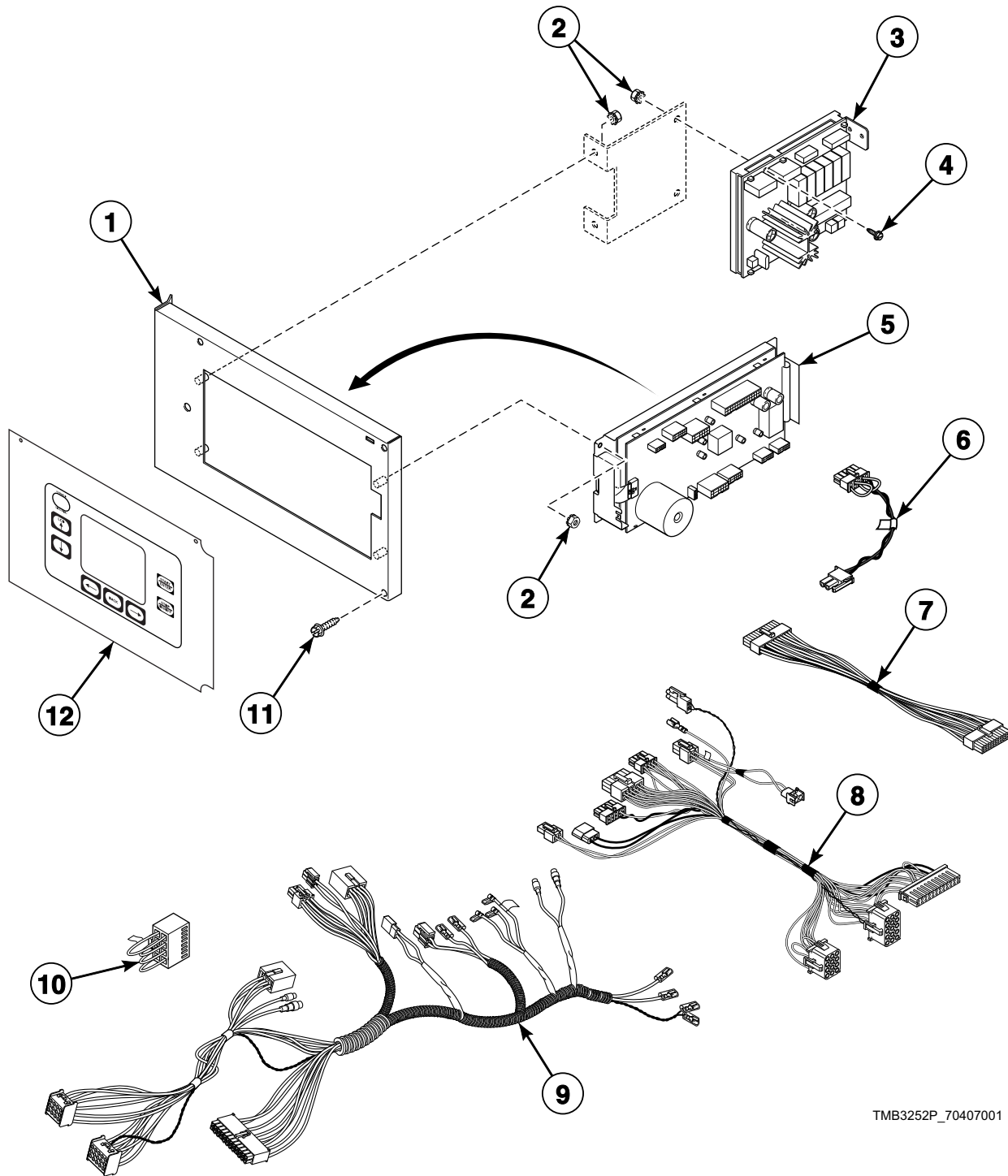
TMB3219P_70407001

Card Reader Components for Galaxy 600 Control

REF	PART NO.	DESCRIPTION	COMMENTS
1	70473003	Control Overlay	
2	70413301	Pushbutton Switch	
3	70336501	Control Plate Assembly	
4	501524	Screw	
5	70450502	Control Assembly	Nonreversing
	70450504	Control Assembly	Reversing
6	70467801	Main Harness	
7	70410401P	Control Panel Harness	
8	70324602	Jumper Calibration Wire	
9	70364103	Bypass Harness	Non-CE models
10	70208801	Mounting Plate	
11	44089501	Slot Card Plate Assembly	
12	70334301	Card Reader Overlay	
13	70414101	Foam Gasket	6 inches required; Mounts to front of overlay, even with edge

UniLinc Control

U Models with RU and UO Control Suffixes



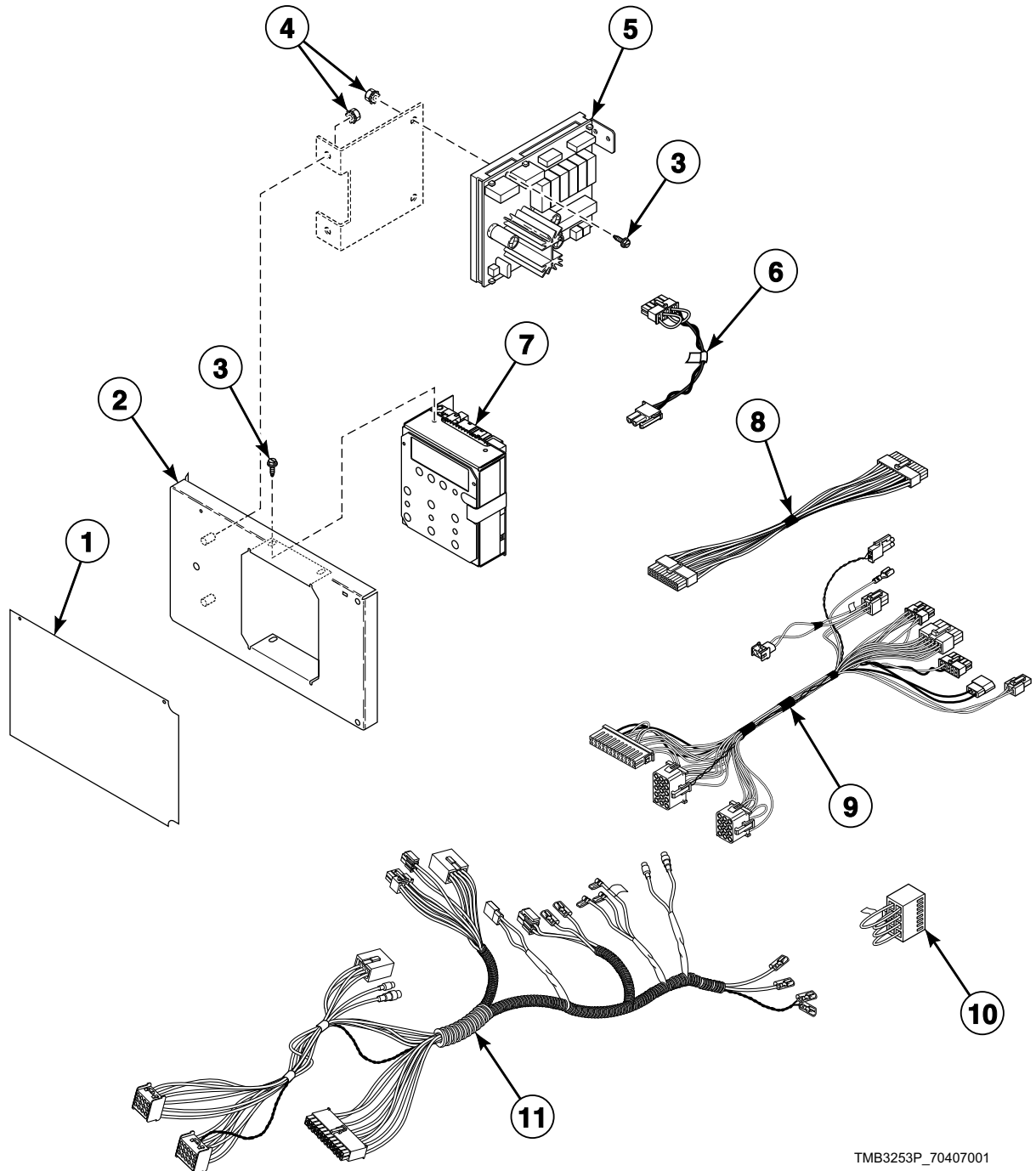
TMB3252P_70407001

UniLinc Control

REF	PART NO.	DESCRIPTION	COMMENTS
	NK206	Network Retrofit Kit	Wired
	NK220	Network Controller Kit	Wired
	NK301	Wireless Network Kit	Wireless
	NK320	Ethernet Gateway Kit	Wireless
	NK330	USB Gateway Kit	Wireless
1	70432101	Control Plate Assembly	Models through 7/8/12
	70475601	Control Plate Assembly	Models starting 7/9/12
2	70054	Nut	
3	70434101P	Control Assembly	
4	501524	Screw	
5	70454001P	Control Assembly	
6	70324602	Jumper Calibration Wire	
7	44186101	Output Harness	Use between item 3 and item 5
8	44240301	Control Panel Harness	Goes from item 5 to main harness
9	70441301	Main Harness	Models through 7/8/12
	70467801	Main Harness	Models starting 7/9/12
10	70364103	Bypass Harness	Non-CE models
11	70069901	Screw	
12	70432201	Overlay	

LED OPL Control

C, D, H, I, S and U Models
G and K Models Starting 1/16/12
Models with EO and RE Control Suffixes

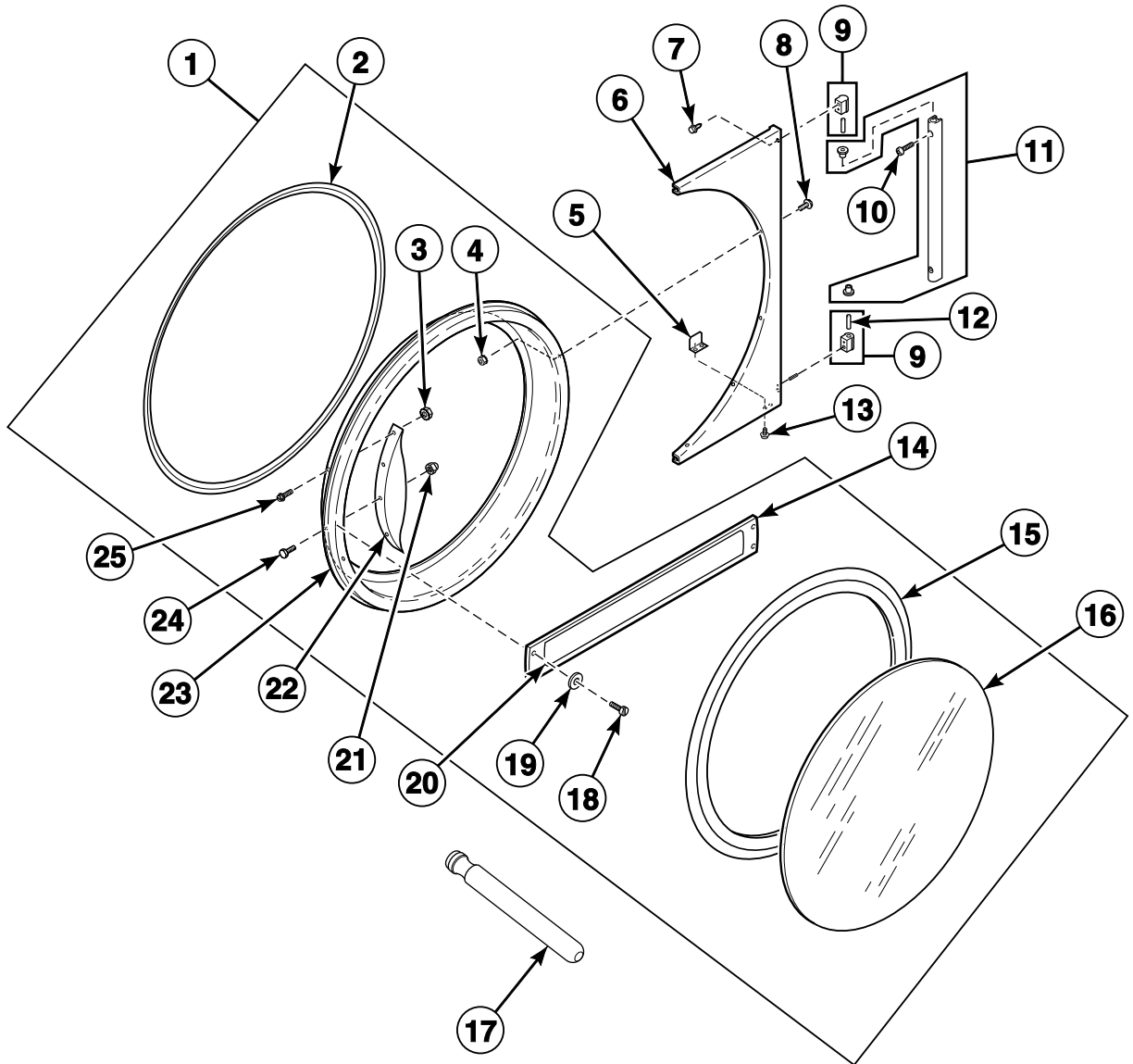


TMB3253P_70407001

LED OPL Control

REF	PART NO.	DESCRIPTION	COMMENTS
1	70445001	Overlay	S models; EO control suffix
	70445002	Overlay	S models; RE control suffix
	70445003	Overlay	H models; EO control suffix
	70445004	Overlay	H models; RE control suffix
	70462402	Overlay	C, D and I models; EO control suffix
	70462401	Overlay	C, D and I models; RE control suffix
	70462702	Overlay	U models; EO control suffix
	70462701	Overlay	U models; RE control suffix
	70462902	Overlay	G and K models; EO control suffix
	70462901	Overlay	G and K models; RE control suffix
2	70440901	Control Plate and Studs Assembly	
3	501524	Screw	
4	70054	Nut	
5	70434101P	Control Assembly	
6	70324602	Jumper Calibration Wire	
7	70454101P	Control Assembly	H, S and U models
	70437102P	Control Assembly	C, D and I models
	70437104P	Control Assembly	G and K models
8	44186101	Output Harness	Use between item 5 and item 7
9	44240301	Control Panel Harness	Goes from item 7 to main harness
10	70364103	Bypass Harness	Non-CE models
11	70441301	Main Harness	Models through 7/8/12
	70467801	Main Harness	Models starting 7/9/12

Door and Hinge Components



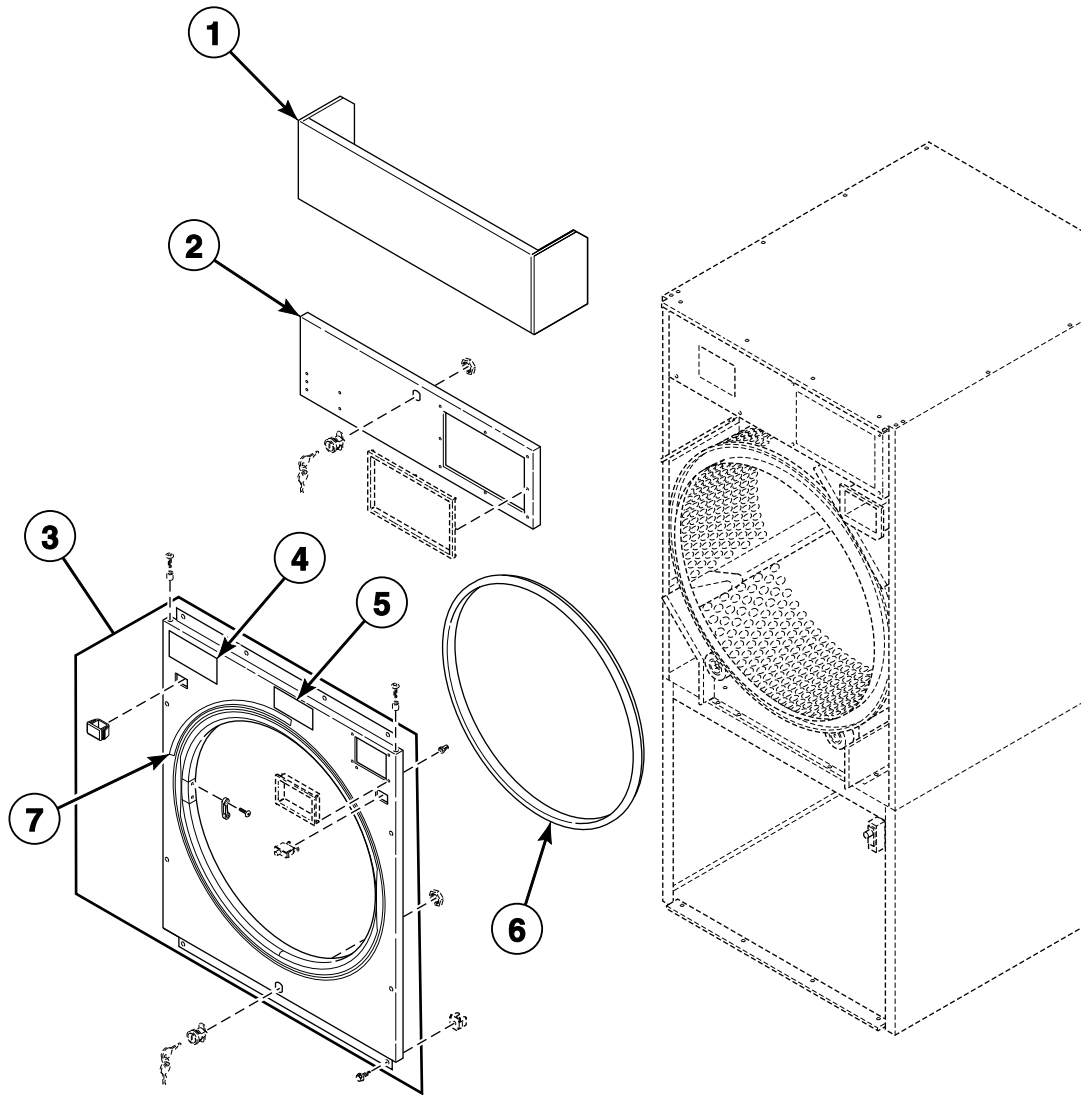
TMB3152P_70407001

Door and Hinge Components

REF	PART NO.	DESCRIPTION	COMMENTS
	70133501P	Replacement Door Handle Kit	H models
1	44028902P	Door Assembly	S and U models; Excludes hinge
	44058102P	Door Assembly	H models; Excludes hinge
	44112101	Door Assembly	C and I models through 7/31/11
	44028903	Door Assembly	C, D and I models starting 8/1/11; Excludes hinge
	70407401	Door Assembly	G and K models; Excludes hinge
2	44008201P	Door Ring Gasket	
3	44071201	Nut	H, S, and U models; 4 required
4	70054	Nut	
5	70215001P	Door Switch Actuator Kit	
6	44075205*	Door Hinge Assembly	H, S and U models; C models starting 8/1/11
	44075206	Door Hinge Assembly	C, H, S and U models; I models through 7/31/11; Stainless steel
	44075209B	Door Hinge Assembly	G and K models; D and I models starting 8/1/11
7	61199	Screw	
8	501524	Screw	
9	M4772P3	Cam and Hinge Kit	C, H, S and U models; I models through 7/31/11
	M4773P3	Cam and Hinge Kit	G and K models; D and I models starting 8/1/11
10	70033502	Screw	C, H, S and U models; I models through 7/31/11
	70407301	Screw	G and K models; D and I models starting 8/1/11
11	44035001	Door Hinge Lug Assembly	C, H, S and U models; I models through 7/31/11
	44035002	Door Hinge Lug Assembly	G and K models; D and I models starting 8/1/11
12	70071401	Pin	
13	70058501	Pop Rivet	
14	70399501B	Handle Bar	G and K models
15	70211902P	Door Seal Kit	Use Loctite 414 for seal
16	44008402P	Door Glass	H models
	44008401P	Door Glass	All other models
17	M4221P4	Door Glass Installation Tool	
18	70412601	Pop Rivet	G and K models; 4 required
19	70409301	Washer	G and K models
20	70414001	Label	G models; Coin
	44144401	Nameplate Overlay	K models; Coin
21	M414215	Nut	H, S and U models; For door strike; Mounts between door strike screw and door handle
22	44007901	Door Handle	S and U models; C, D and I models starting 8/1/11
	44057702	Door Handle	H models
23	44007702	Door Ring Assembly	H, S and U models
	44112001	Door Ring and Handle Assembly	C and I models through 7/31/11
	44007704B	Door Ring	C, D and I models starting 8/1/11
	44007703B	Door Ring	G and K models
24	430757	Screw	H, S and U models; Use with door handle
25	44024201	Hole Plug	C, D and I models; 4 required
	M400661	Screw	All other models

* Add Letter To Designate Color. Q - Bisque W - White

Front Panel Assemblies and False Fronts



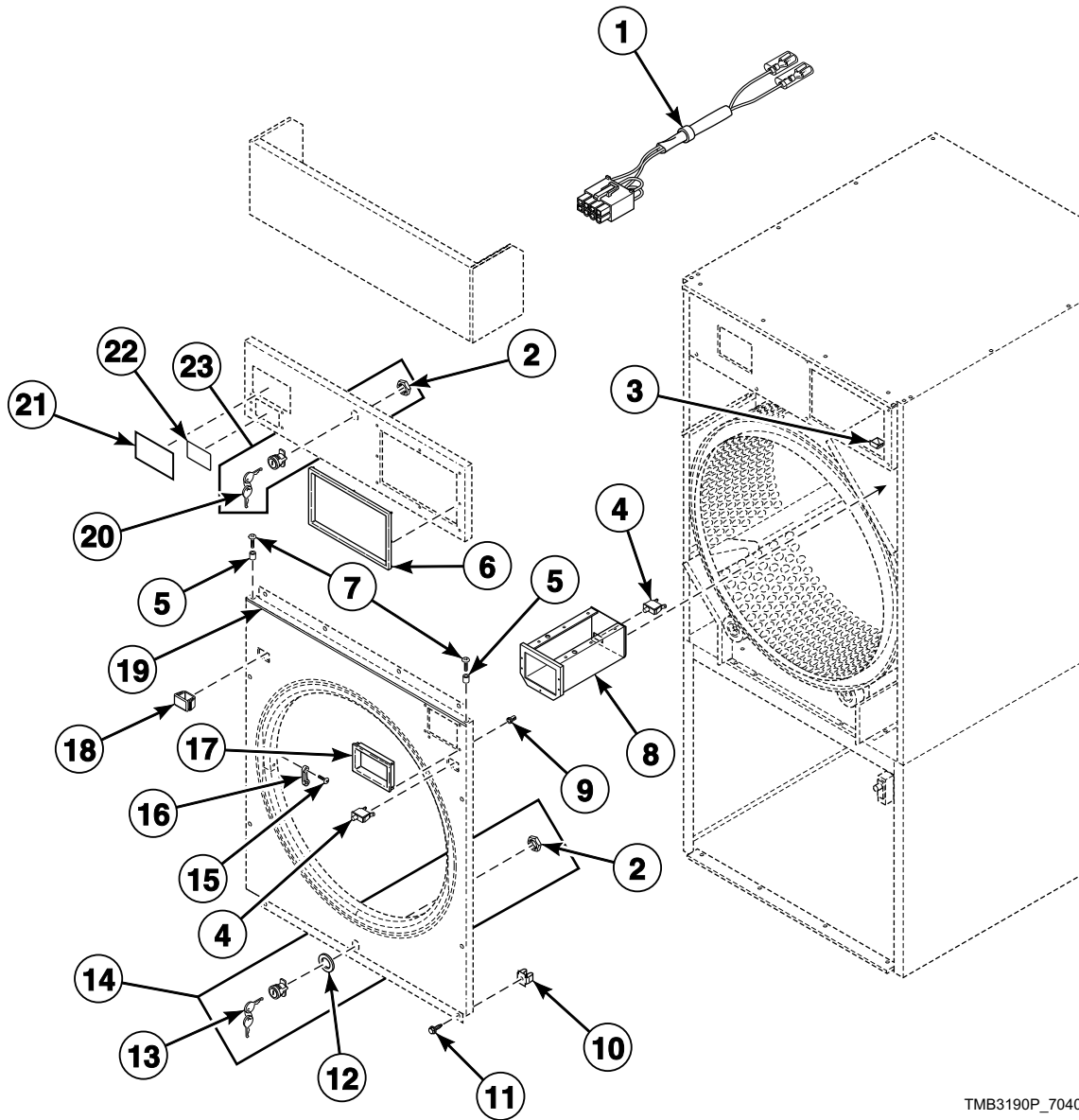
TMB3200P_70407001

Front Panel Assemblies and False Fronts

REF	PART NO.	DESCRIPTION	COMMENTS
1	70405001*	False Front	72 inches
	70405002	False Front	72 inches; Stainless steel
	70405101*	False Front	76 inches
	70405102	False Front	76 inches; Stainless steel
2	70376001*	Control Panel	S and U models
	70376002	Control Panel	S and U models; Stainless steel
	70376003*	Control Panel	H models
	70376004	Control Panel	H models; Stainless steel
	70417101*	Control Panel	C models; I models through 7/31/11; QT control suffix
	70417102	Control Panel	C models; I models through 7/31/11; QT and SD control suffixes; Stainless steel
	70417103*	Control Panel	C models; I models through 7/31/11; DO control suffix
	70417104	Control Panel	C models; I models through 7/31/11; DO, DV and DX control suffixes; Stainless steel
	70417101B	Control Panel	D and I models starting 8/1/11 through 7/8/12
	70417108B	Control Panel	D and I models starting 7/9/12
	70417105*	Control Panel	K models; OM and NC control suffixes
	70417106	Control Panel	K models; NC control suffix; Stainless steel
	3	70413001*	Front Panel Assembly
70413002		Front Panel Assembly	H, K and S models; BC, BX, LC and LX control suffixes; Stainless steel
70413003*P		Front Panel Assembly	S models; BL control suffix
70413004		Front Panel Assembly	S models; BL control suffix; Stainless steel
70413005*		Front Panel Assembly	3O, DO, EO, OM, QT, RE, RU and UO control suffixes
70413006P		Front Panel Assembly	OM, QT, RE, RU and UO control suffixes; Stainless steel
4	70411401	Nameplate Overlay	G models; Coin
5	44108201	Label	C, D, H, I, S and U models
	44128901	Fire Suppression System Label	G and K models
6	70173402	Front Cylinder Seal	
7	M410892	Warning Label	

* Add Letter To Designate Color. Q - Bisque W - White

Cabinet Front Components

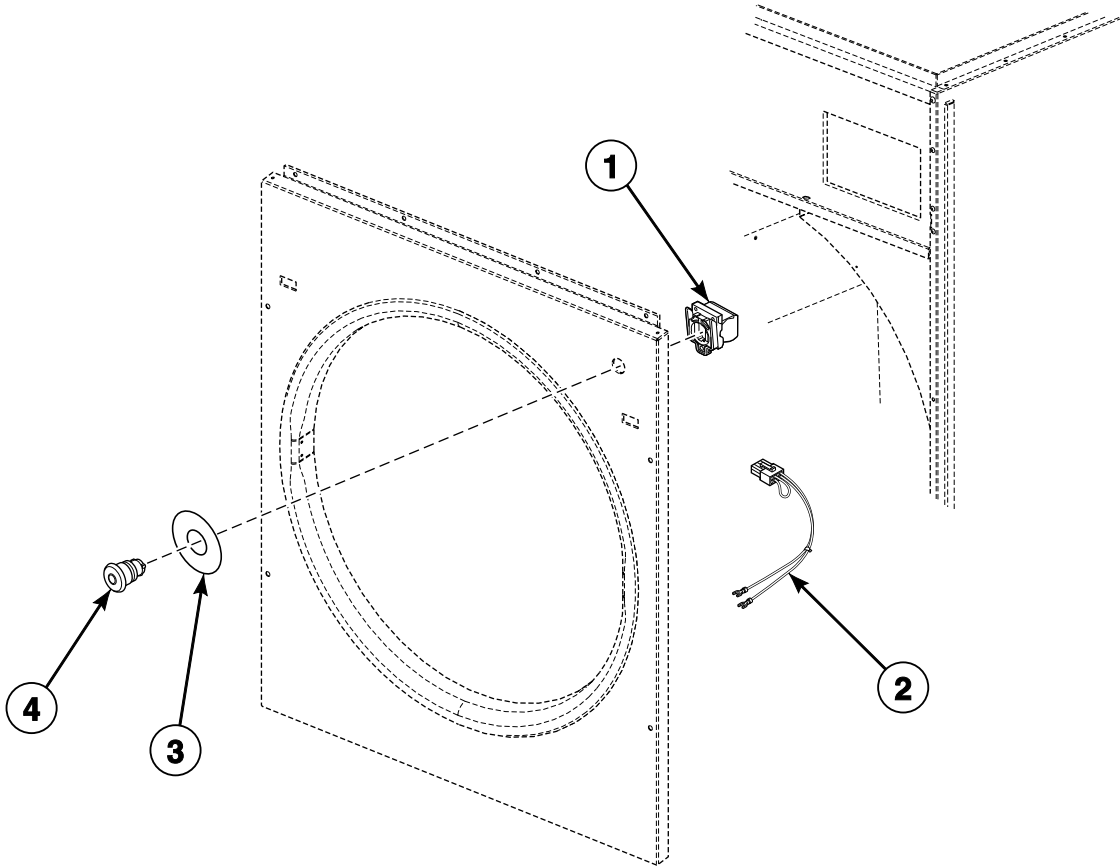


TMB3190P_70407001

Cabinet Front Components

REF	PART NO.	DESCRIPTION	COMMENTS
1	70364104P	Coin Vault Switch Harness	
2	44088801	Nut	
3	70296401	Coin Chute Assembly	
4	70413301	Pushbutton Switch	
5	56079	Panel Locator	9 required
6	44016401	Control Trim	K, S and U models; Black
	44016301	Control Trim	H models; Gray
7	39733	Screw	
8	70180101	Coin Vault Assembly	
9	M400972	Shadow Box Clip	
10	70030501	Expansion Clip	8 required; Use with item 11, between front panel and cabinet
11	430497	Screw	
12	70342401	Lock Shim	
13	70155602	Key	RL002
14	44089302P	Lock, Key and Nut Kit	RL002
15	44166601	Pop Rivet	
16	M401223	Door Latch	
17	70117502	Coin Vault Trim	
18	44057801W	Switch Hole Plug	White
	44057801Q	Switch Hole Plug	Bisque
	44057801B	Switch Hole Plug	Black
19	70399406	Access Panel Trim	K models; OPL
	70399408	Access Panel Trim	K models; Coin
20	70155601	Key	RL001
21	70115601	Nameplate Overlay	S models
	70460801	Nameplate Overlay	U models
	B12389801	Nameplate	D and I models
	44062901	Nameplate	C models
	44144401	Nameplate Overlay	K models; Coin
	44147101	Nameplate Overlay	K models; OPL
	70411401	Nameplate Overlay	G models; Coin
	70410201	Nameplate Overlay	G models; OPL
22	44129907	Nameplate	C models
23	44089301P	Lock, Key and Nut Kit	RL001

Emergency Stop Button for CE Models

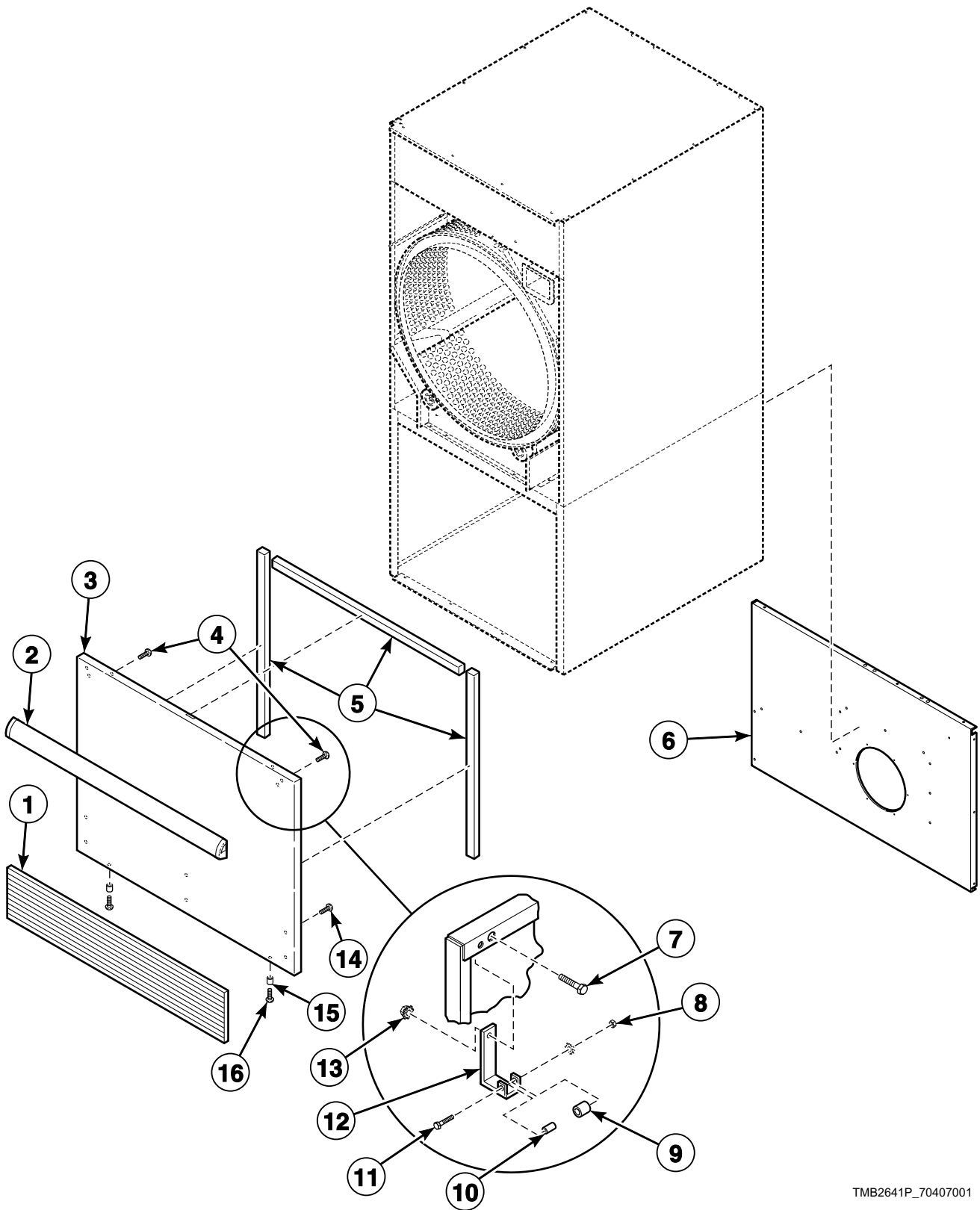


TMB2375P_70407001

Emergency Stop Button for CE Models

REF	PART NO.	DESCRIPTION	COMMENTS
	F8069501	Contact Switch	Models starting 10/1/07; Does not include mounting base
1	44018701	Contact Block	Includes base; Models through 9/30/07
	F200233401	Contact Block Switch	Models starting 10/1/07; Includes mounting base
2	70364105P	Emergency Stop Contact Harness	1 contact
	70364106P	Emergency Stop Harness	2 contacts
3	M412235	Emergency Stop Label	
4	44018801	Pushbutton	Models through 9/30/07
	F200233500	Emergency Stop Pushbutton	Models starting 10/1/07

Lower Cabinet Components



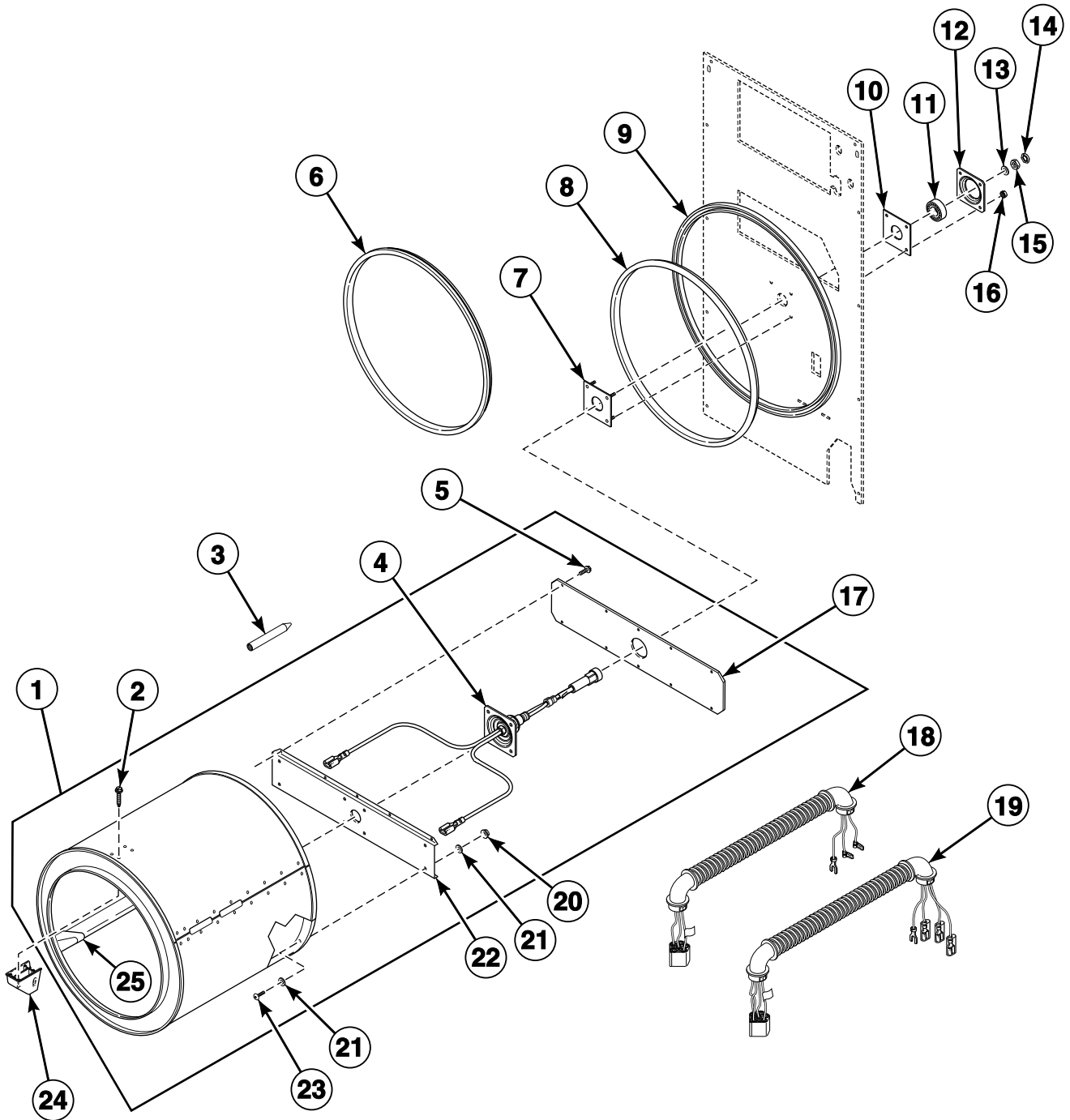
TMB2641P_70407001

Lower Cabinet Components

REF	PART NO.	DESCRIPTION	COMMENTS
1	70117614	Kickplate	H models; Dark gray
	70117613	Kickplate	All other models; Black
2	70154411	Handle and Caps Assembly	C, D, I, S and U models; Black
	70154412	Handle and Caps Assembly	H models; Dark gray
	70407206	Handle Bumper	G and K models
3	70375701*	Lint Panel	
	70375702	Lint Panel	Stainless Steel
4	430757	Screw	For attaching handle; 6 required
5	70289101P	Lint Panel Gasket	Sold per foot
6	70376601	Rear Lint Panel	
7	70132301	Screw	Attaching roller catch
8	23951	Nut	
9	70297601	Roller Catch Wheel	
10	70030201	Roller Catch Spacer	
11	70072801	Screw	
12	70030301	Roller Catch Arm	
13	51236	Nut	Attaching roller catch
14	70126301	Pop Rivet	For attaching kickplate; Black; 6 required
	70126401	Pop Rivet	For attaching kickplate; Gray; 6 required
15	56079	Panel Locator	
16	39733	Screw	

* Add Letter To Designate Color. L - Almond Q - Bisque W - White

Cylinder Components

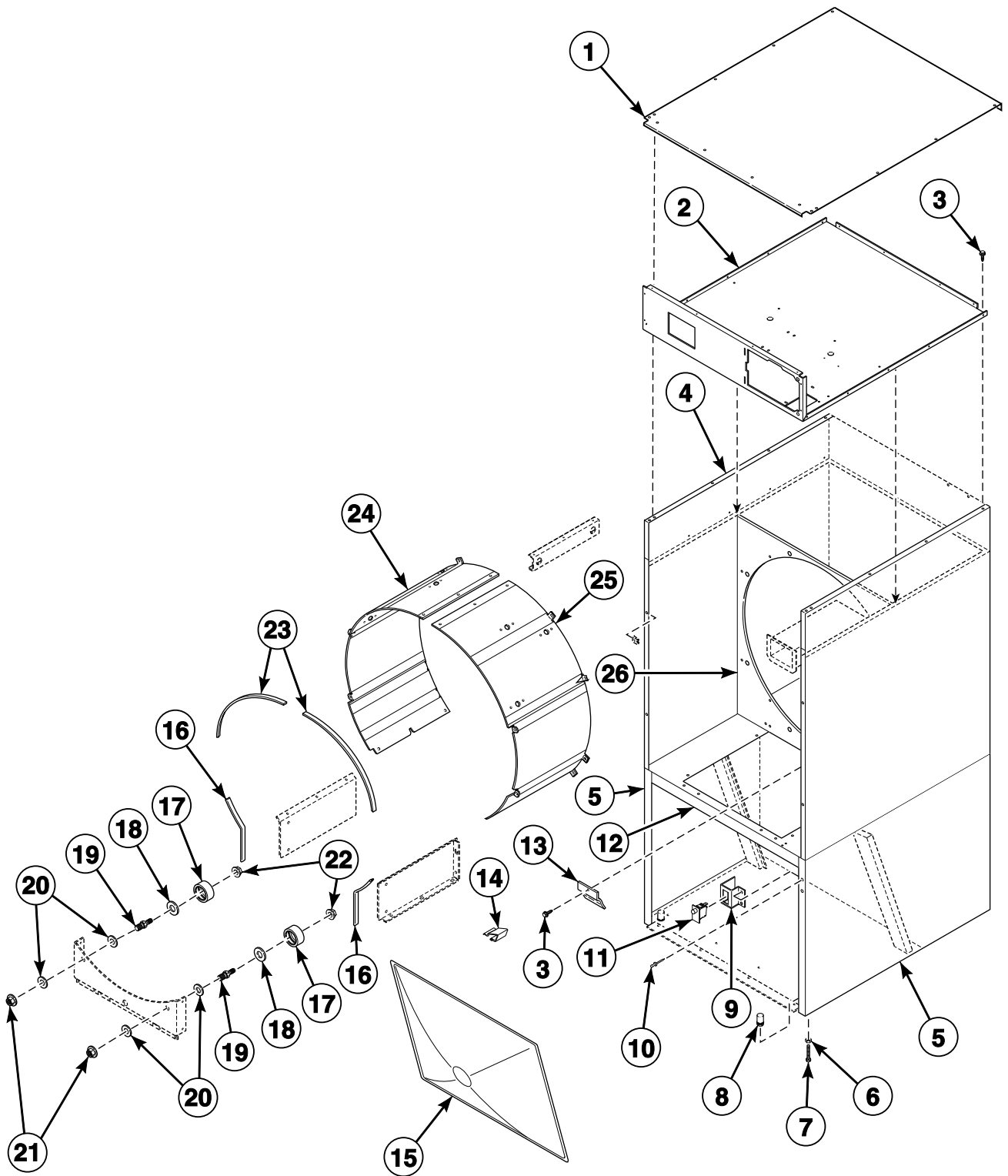


TMB3162P_70407001

Cylinder Components

REF	PART NO.	DESCRIPTION	COMMENTS
	70343101P	Drywall Screw Magnet Kit	
1	70408803	Cylinder Assembly	G and K models; Non-moisture sensing
	70444103	Cylinder and Trunnion Assembly	G and K models; Moisture sensing
	70408801P	Cylinder Assembly	All other models; Galvanized; Non-moisture sensing
	70444101	Cylinder and Trunnion Assembly	All other models; Galvanized; Moisture sensing
	70408802P	Cylinder Assembly	All other models; Stainless steel; Non-moisture sensing
	70444102	Cylinder and Trunnion Assembly	All other models; Stainless steel; Moisture sensing
2	62588	Screw	16 required
3	263P4	Cylinder Guide Tool	
4	M4963P3	Trunnion and Seal Kit	Includes item 8; Also order 511637 Adhesive; Non-moisture sensing
	70454601	Trunnion and Wire Assembly	Moisture sensing; Includes 70244702 Trunnion Assembly
5	430497	Screw	10 required
6	70066005	Center Cylinder Seal	
7	430352	Cylinder Bearing Stud Plate Assembly	
8	70013704P	Rear Cylinder Seal	Use with 511637 Adhesive
9	70305401	Rear Cylinder Seal Support	
10	70355001	Rear Bearing Shim	
11	70448701	Support Bearing	
12	70013901	Rear Cylinder Bearing Housing	
13	M400991	Washer	
14	M400034	Nut	
15	M400022	Nut	
16	M412986	Nut	4 required
17	70305301	Rear Cylinder Channel Plate	
18	70401001	Cylinder Motor Harness Assembly	Models through 2/28/10; 1 Phase; 3 Phase electric models with 240 Volt and below
	70439701	Cylinder Motor Harness Assembly	Models starting 3/1/10; 1 Phase; 3 Phase electric models with 240 Volt and below
19	70401101	Cylinder Motor Harness Assembly	Models through 2/28/10; 3 Phase models except electric models with 240 Volt and below
	70440101	Cylinder Motor Harness Assembly	Models starting 3/1/10; 3 Phase models except electric models with 240 Volt and below
	70465801	Cylinder Motor Harness Assembly	Reversing models
20	44087201	Nut	8 required
21	70411301	Washer	8 required
22	70305201	Rear Cylinder Channel	Non-moisture sensing
	70305202	Rear Cylinder Channel	Moisture sensing
23	70391101	Screw	8 required
24	70070101	End Cap	Non-moisture sensing
	70070102	End Cap	Moisture sensing
25	70433004	Cylinder Rib Assembly	Moisture sensing

Cabinet Components



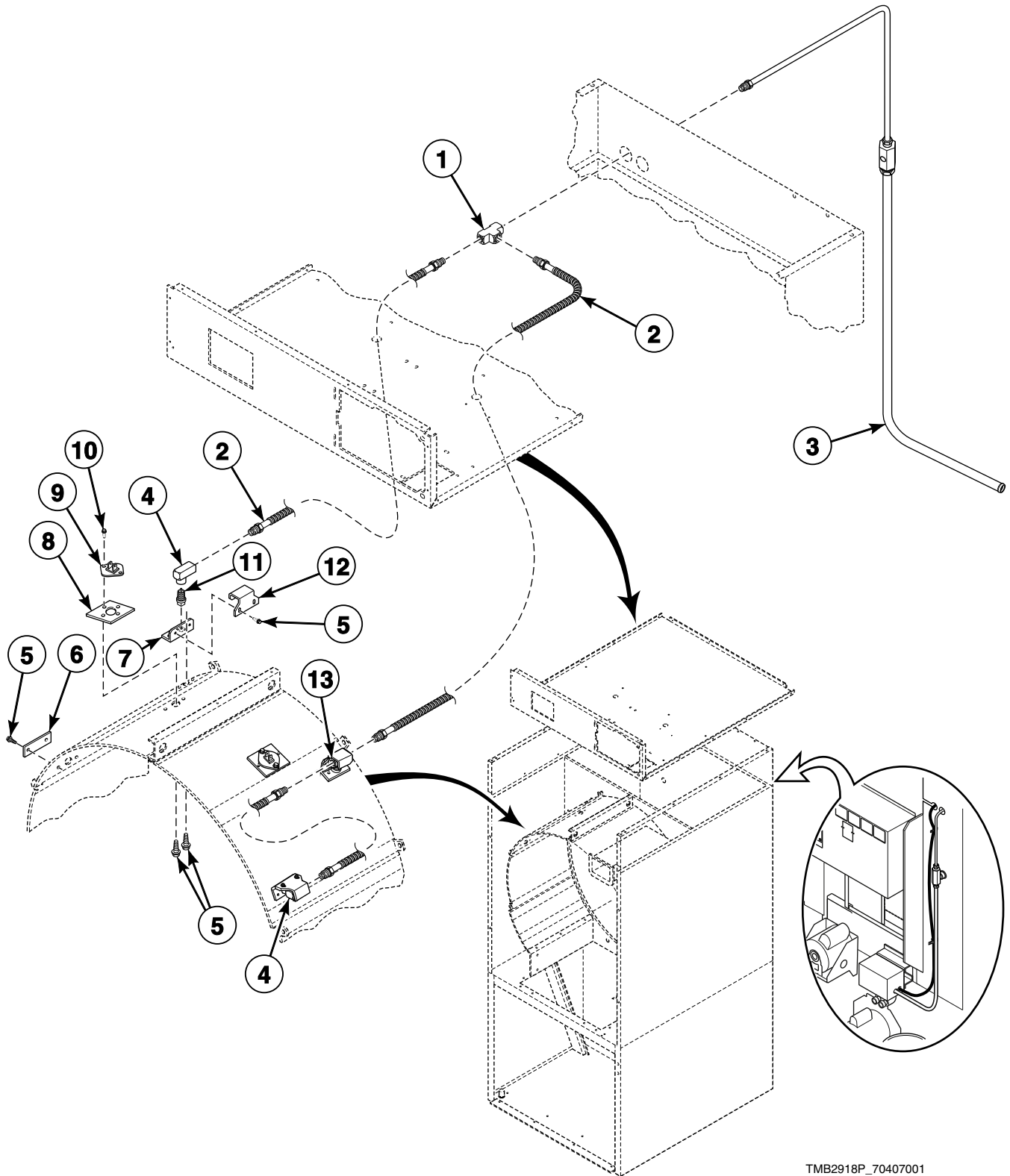
TMB3026P_70407001

Cabinet Components

REF	PART NO.	DESCRIPTION	COMMENTS
	M4379P4	Tumbler Dolly Kit	
	298P4P	Spray Paint	White
	297P4	Spray Paint	Almond
	286P4	Spray Paint	Blue
	122P4P	Porcelain Touch-Up Paint	White
	215P4P	Porcelain Touch-Up Paint	Almond
	370P4P	Porcelain Touch-Up Paint	Bisque
1	70375501	Top Panel	
2	70376901	Top Pan	
3	430497	Screw	
4	70378701*P	Side Panel	Upper
5	70378801*P	Side Panel	Lower
6	21899	Nut	
7	34319	Leveling Leg	
8	70063201	Hole Plug	
9	70277301	Lint Panel Switch Bracket	
10	70058501	Pop Rivet	16 required; Upper side panel
11	70413401	Switch Assembly	
12	70376701	Center Pan	
13	35358	Hold-Down Clip	
14	35865	Hold-Down Clip	2 required
15	44063601	Lint Screen	
16	70015711	Sheet Metal Edge Gasket	Lower
17	70298701P	Roller Bearing Assembly	
18	70443601	Roller Seal	Models starting 3/1/10
19	70249501	Roller Shaft	
20	70261401	Washer	
21	M404993	Nut	
22	430576	Nut	
23	70015712	Sheet Metal Edge Gasket	Upper
24	70427502	Cylinder Shroud	Left
25	70427501	Cylinder Shroud	Right
26	70376801	Center Partition	

* Add Letter To Designate Color. Q - Bisque W - White

Fire Suppression System Components

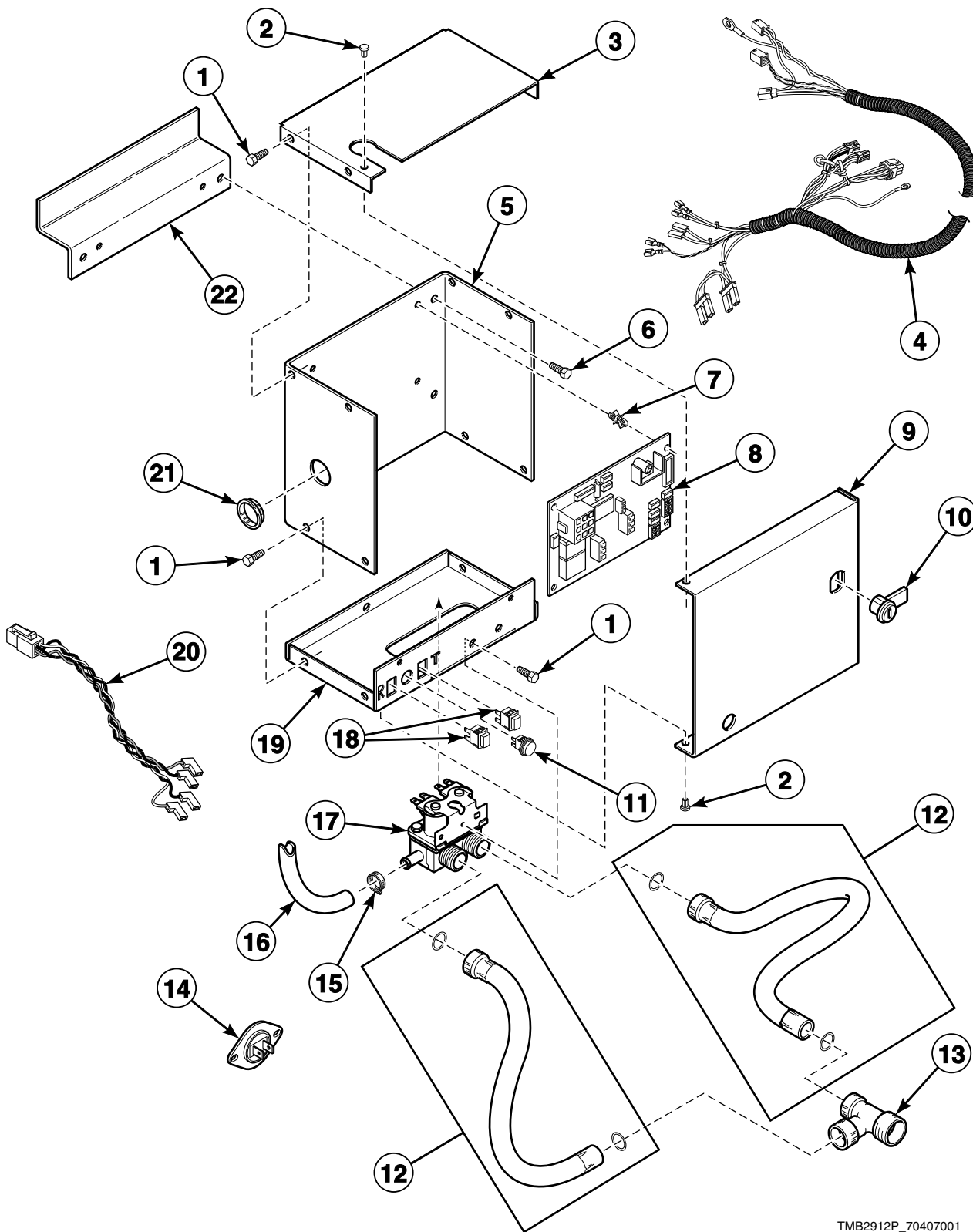


TMB2918P_70407001

Fire Suppression System Components

REF	PART NO.	DESCRIPTION	COMMENTS
1	70427901	Union Tee	2 required
2	70427701	Spray Nozzle Hose	3 required
3	70427601	Tube Assembly	
4	70428101	Elbow	2 required
5	430497	Screw	20 required
6	70429301	Nozzle Hole Cover	
7	70424201	Nozzle Bracket	3 required
8	70424401	Thermistor Plate	2 required
9	44064701	Thermistor	2 required
10	51780	Screw	4 required
11	70427801	Spray Nozzle	3 required
12	70428601	Nozzle Bracket	3 required
13	70428201	Tee	

Fire Suppression System Control Box

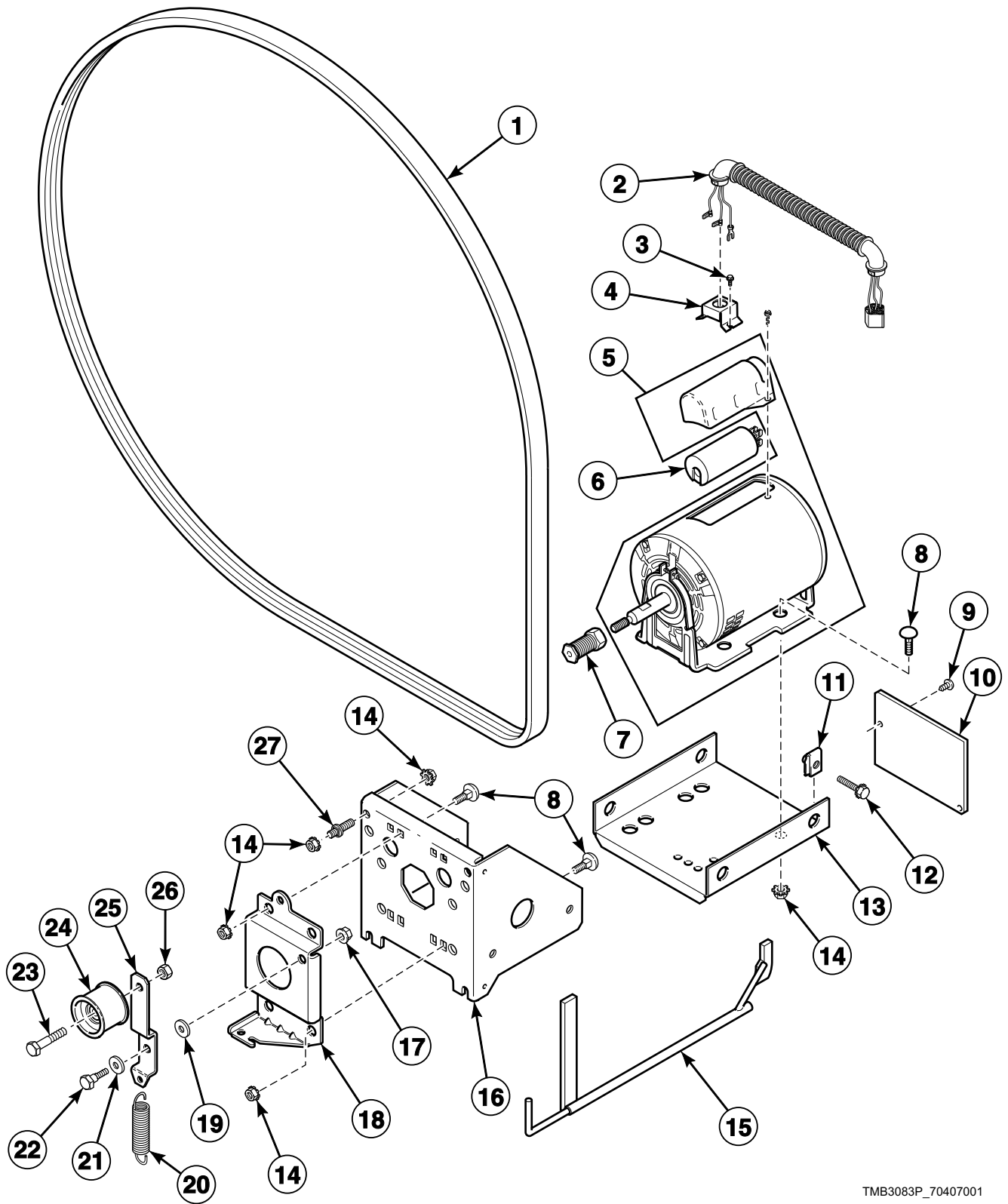


TMB2912P_70407001

Fire Suppression System Control Box

REF	PART NO.	DESCRIPTION	COMMENTS
1	430497	Screw	
2	M400713	Drive Rivet	
3	44065401	Control Box Top	
4	70426501P	Control Harness	
5	44065101	Control Box Housing	
6	51780	Screw	
7	501523	Circuit Board Support	4 required
8	44063801P	Control	
9	44065201	Control Box Cover	
10	44089301P	Lock, Key and Nut Kit	RL001 key code; Optional if same key is to be used for control lock
11	801432	Light	
12	F200116	Water Hose	2 required; Non-CE and non-Australian models
	38349P	Fill Hose Kit	CE and Australian models
13	44069101	Hose Fitting	Non-CE and non-Australian models
14	44064701	Thermistor	2 required
15	36801	Hose Clamp	
16	44073304	Hose	14 inches; Outlet hose
17	36958P	Mixing Valve	
18	801434W	Push-to-Start Switch	2 required
19	44065301	Control Box Base	
20	70426601P	Sensor Harness	
21	70178701	Snap Bushing	
22	44065901	Bracket	

Drive Motor Components for Nonreversing Models

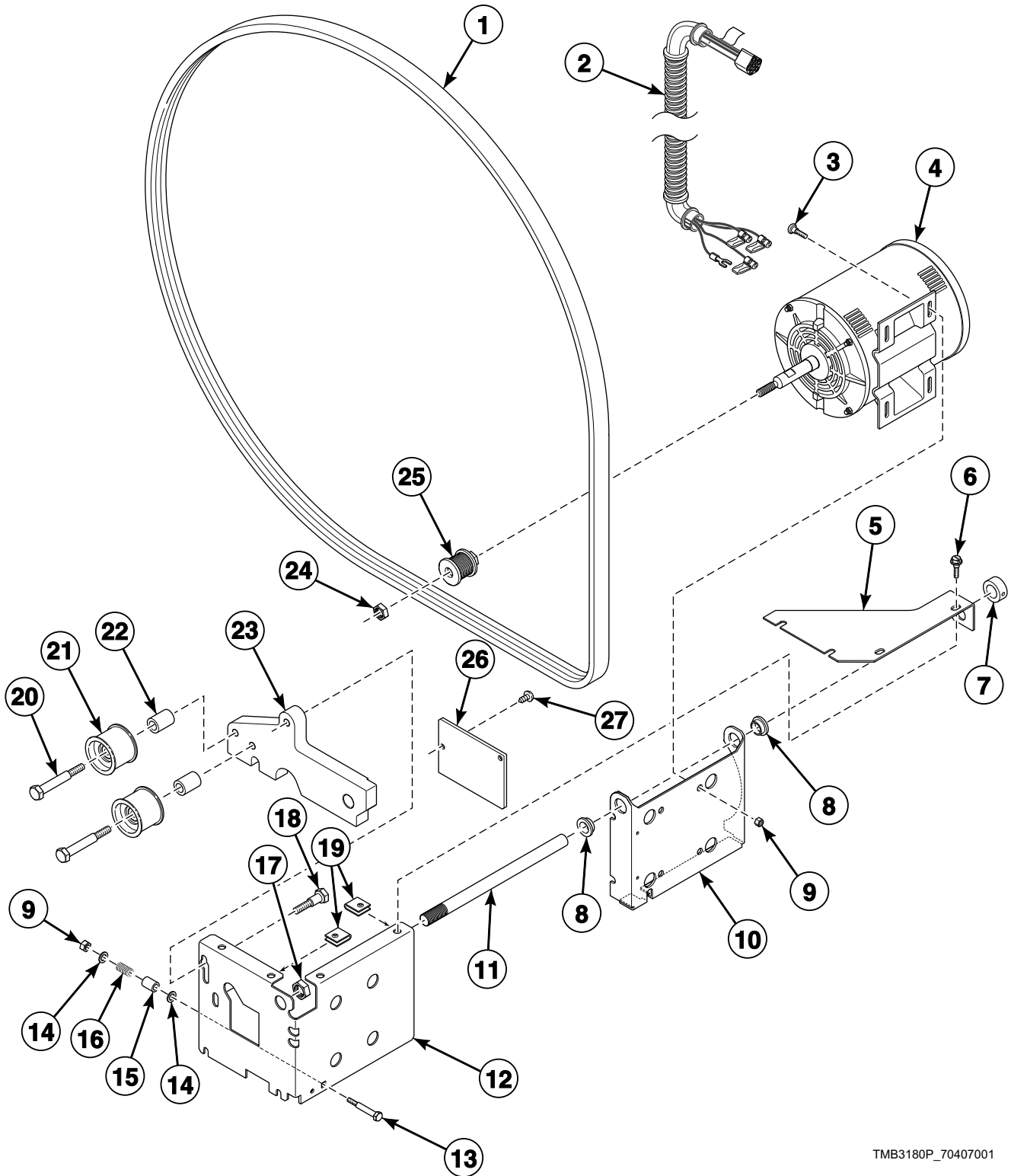


TMB3083P_70407001

Drive Motor Components for Nonreversing Models

REF	PART NO.	DESCRIPTION	COMMENTS
1	70276204P	Belt	115.75 inches
2	70401001	Cylinder Motor Harness Assembly	Models through 2/28/10; 1 Phase; 3 Phase electric models with 240 Volt and below
	70401101	Cylinder Motor Harness Assembly	Models through 2/28/10; 3 Phase except electric models with 240 Volt and below
	70439701	Cylinder Motor Harness Assembly	Models starting 3/1/10; 1 Phase; 3 Phase electric models with 240 Volt and below
	70440101	Cylinder Motor Harness Assembly	Models starting 3/1/10; 3 Phase except electric models with 240 Volt and below
3	23222	Screw	2 required
4	70321701	Motor Conduit Mounting Bracket	
5	70401501	Drive Motor	100 or 200 Volt/50 Hertz/1 Phase; No capacitor
	70392901P	Drive Motor	100 or 200-220, 120 or 208-240 Volt/60 Hertz/1 Phase; Electric models, 208 or 240 Volt/60 Hertz/1 Phase, 200-208 or 240 Volt/60 Hertz/3 Phase
	70401601	Drive Motor	230 or 230-240 Volt/50 Hertz/1 Phase; No capacitor
	70401701	Drive Motor	380 Volt/50 Hertz/3 Phase; No capacitor
	70401801	Drive Motor	400-415 Volt/50 Hertz/3 Phase; No capacitor
	70298401P	Drive Motor	200-208 or 240 Volt/60 Hertz/3 Phase; No capacitor
6	70413101	Motor Capacitor	Start; For 70392901 Drive Motor on 20 Amp models
	70413201	Motor Capacitor	Run; For 70392901 Drive Motor on 20 Amp models
7	70284208	Motor Pulley	60 Hertz
	70284204	Motor Pulley	50 Hertz
8	70062401	Bolt	
9	430497	Screw	
10	70202501	Drive Access Cover	
11	27222	Nut	4 required
12	M412985	Screw	
13	70127301	Motor Mount Bracket	
14	M412986	Nut	
15	M4853P3	Belt Tension Tool Kit	
16	70261701	Motor Channel	
17	29796	Nut	
18	70443301	Idler Bracket	
19	70270301	Washer	
20	70045301	Drum Idler Spring	With silencer
21	70265901	Washer	
22	M400056	Screw	
23	430648	Screw	
24	70050401P	Idler Wheel Assembly	
25	70259901	Cylinder Idler Arm	
26	56156	Nut	
27	70334701	Double Ended Stud	

Drive Motor Components for Reversing Models

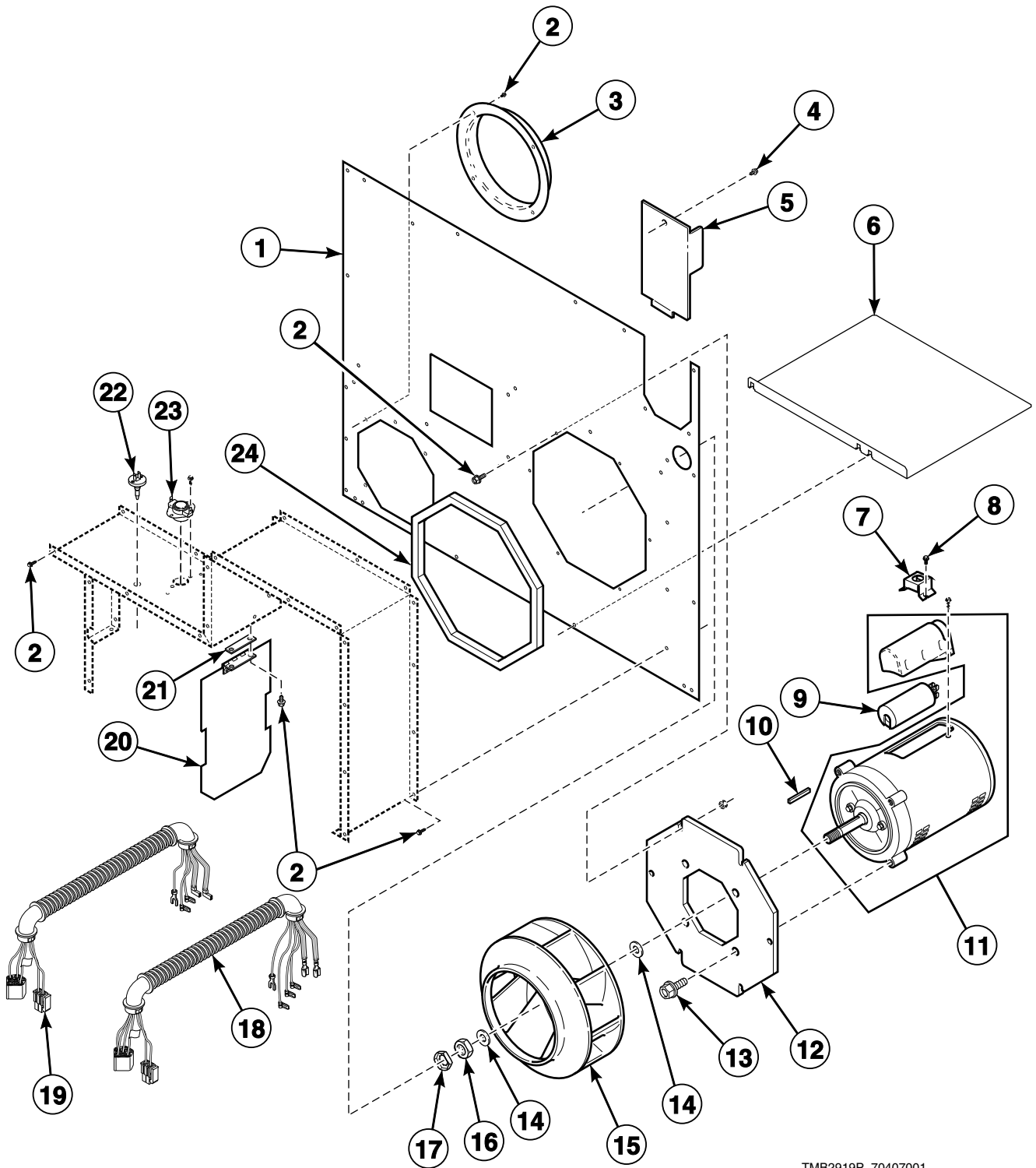


TMB3180P_70407001

Drive Motor Components for Reversing Models

REF	PART NO.	DESCRIPTION	COMMENTS
1	70276204P	Belt	
2	70465801	Cylinder Motor Harness Assembly	
3	70062401	Bolt	4 required
4	70459001P	Drive Motor	200-208 or 240 Volt/60 Hertz/3 Phase, 380 or 400-415 Volt/50 Hertz/3 Phase
5	70464201	Motor Plate Cover	2 required
6	M400057	Screw	8 required
7	70467001	Shaft Collar	
8	44239501	Bushing	2 required
9	M412986	Nut	
10	44261401	Drive Motor Plate	
11	70464401	Support Rod	
12	70464101	Motor Bracket	
13	70467501	Bolt	
14	M405535	Washer	2 required
15	70471701	Spacer	
16	70467601	Compression Spring	
17	F431025	Nut	
18	M400043	Screw	4 required
19	27222	Nut	4 required
20	F8368701	Screw	2 required
21	70050401P	Idler Wheel Assembly	2 required
22	70464601	Idler Spacer	2 required
23	70464501	Idler Holder	
24	70466601	Nut	
25	70457401	Motor Pulley	60 Hertz
26	70466001	Belt Access Cover	
27	430497	Screw	

Blower Components



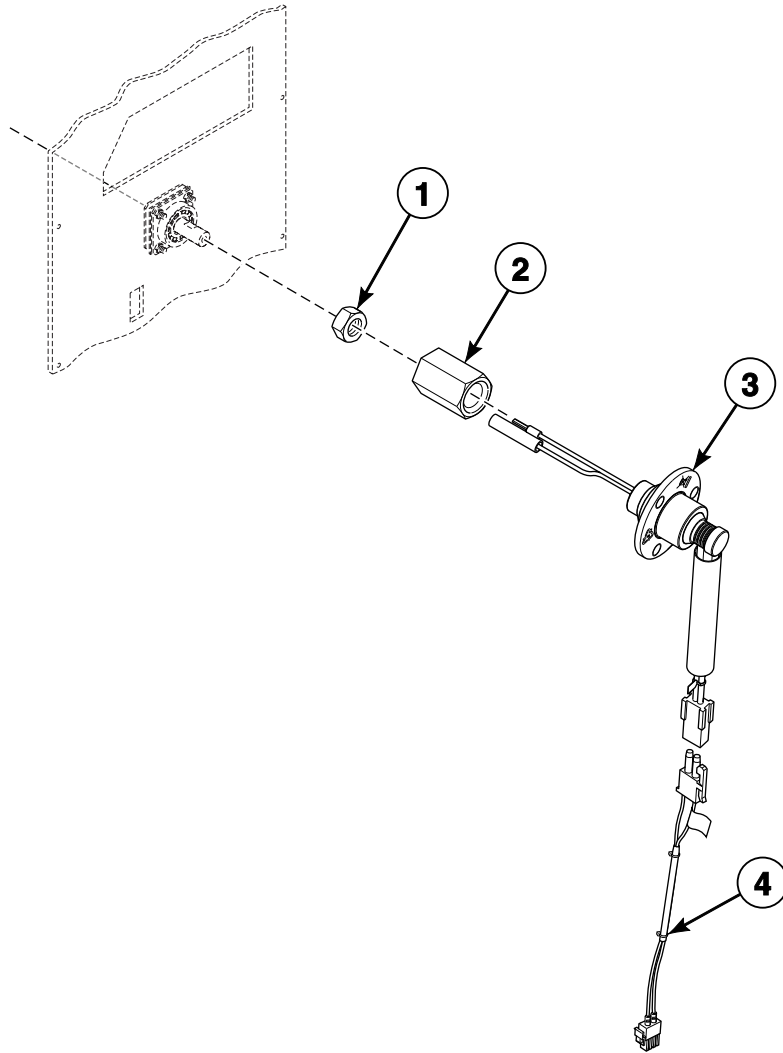
TMB2919P_70407001

Blower Components

REF	PART NO.	DESCRIPTION	COMMENTS
1	70377201	Lower Rear Panel	
2	430497	Screw	
3	70015601	Exhaust Thimble	8 inches
4	M411072	Screw	
5	70196301	Drive Access Cover	
6	70427001	Motor Drip Pan	
7	70321701	Motor Conduit Mounting Bracket	
8	23222	Screw	2 required
9	70413102	Motor Capacitor	Start; For 70297901P Blower Motor and 70401401 Blower Motor
	70413202	Motor Capacitor	Run; For 70297901P Blower Motor and 70401401 Blower Motor
10	70144101	Key	
11	70297901P	Blower Motor	100 or 200-220, 120 or 208-240 Volt/60 Hertz/1 Phase; Electric models, 208 or 240 Volt/60 Hertz/1 Phase
	70401401	Blower Motor	100 or 200, 230, 230-240 Volt/50 Hertz/1 Phase
	70342601P	Blower Motor	200-208 or 240 Volt/60 Hertz/3 Phase, 380 or 400-415 Volt/50 Hertz/3 Phase
12	70380801	Blower Motor Mounting Plate	
13	70126101	Screw	
14	M400991	Washer	
15	70302201P	Blower Assembly	
16	M400022	Nut	
17	M400034	Nut	
18	70401301	Fan Motor Harness Assembly	Models through 2/28/10; 3 Phase except electric models with 240 Volt and below
	70440201	Fan Motor Harness Assembly	Models starting 3/1/10; 3 Phase except electric models with 240 Volt and below
19	70401201	Fan Motor Harness Assembly	Models through 2/28/10; 1 Phase; 3 Phase electric models with 240 Volt and below
	70439801	Fan Motor Harness Assembly	Models starting 3/1/10; 1 Phase; 3 Phase electric models with 240 Volt and below
20	70209501	Damper and Hinge Exhaust Assembly	
21	N/A	Damper Spacer	
22	M414704	Thermistor	
23	M411307	Limit Thermostat	
24	70392701P	Gasket	For blower housing opening

N/A = Part no longer available

Moisture Sensing Components



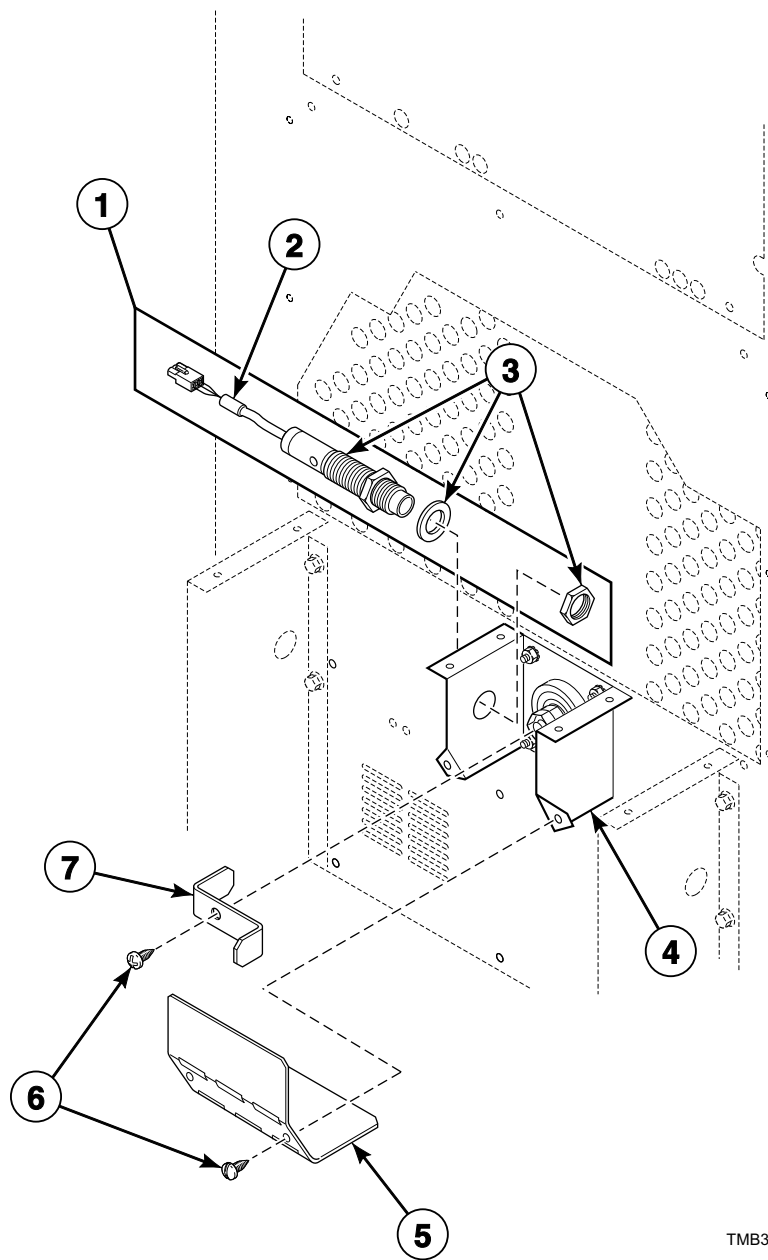
TMB3147P_70407001

Moisture Sensing Components

REF	PART NO.	DESCRIPTION	COMMENTS
	70468901	Moisture Sensor Test Wires	Use to troubleshoot the moisture sensor circuit
1	M400035	Nut	
2	44224401	Slip Ring Holder	
3	44240201	Slip Ring Assembly	
4	70448901	Moisture Sensor Harness Assembly	

Rotation Sensor

C, D, H, I, S and U Models

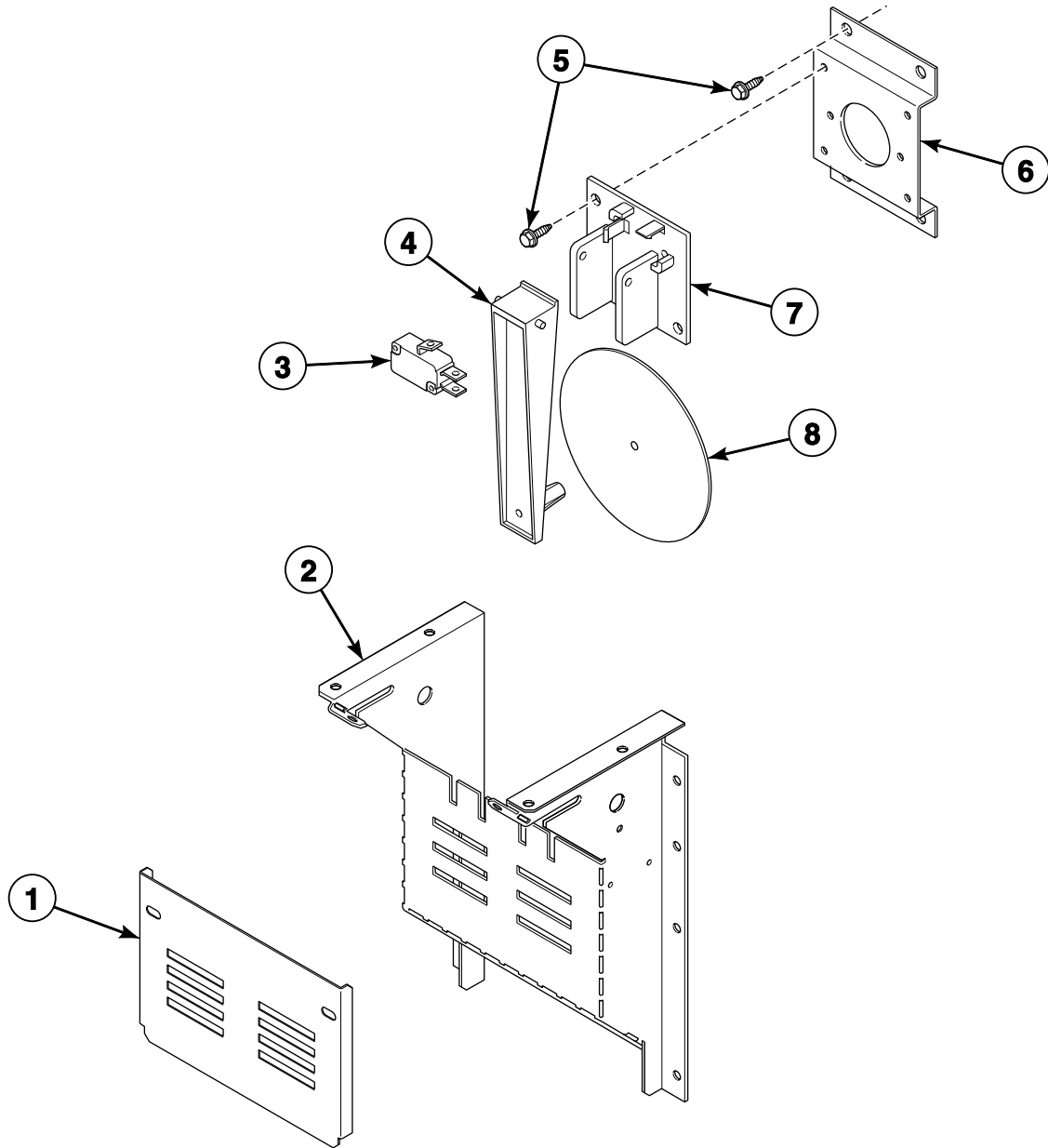


TMB3172P_70407001

Rotation Sensor

REF	PART NO.	DESCRIPTION	COMMENTS
1	7009P	Rotation Sensor Kit	Includes items 2, 3 and 7; Models with 3B, 3O, 3V, 3W, 3X, DO, DV, DX and R3 control suffixes
2	70476101	Rotation Sensor Harness	Models with 3B, 3O, 3V, 3W, 3X, DO, DV, DX and R3 control suffixes
	F8066401	Rotation Sensor Harness	Models with EO, RE, RU and UO control suffixes
3	F8066201	Rotation Sensor	
4	70021401	Bearing Housing Bracket	
5	44044301	Rotation Sensor Cover	
6	70153301	Screw	
7	44044401	Rotation Sensor Bracket	

Airflow Switch

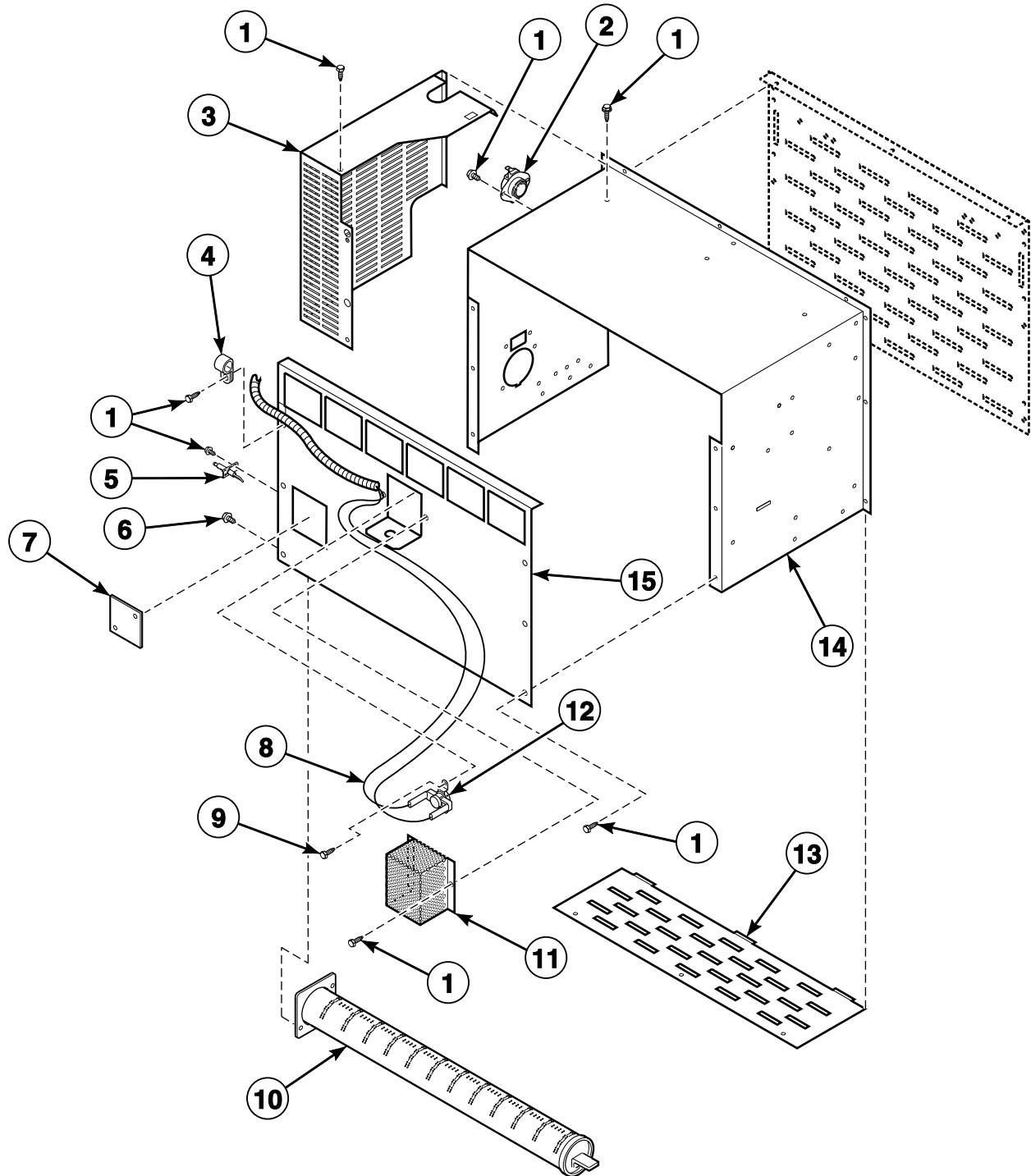


TMB3126P_70407001

Airflow Switch

REF	PART NO.	DESCRIPTION	COMMENTS
1	70356601	Airflow Switch Cover	Non-moisture sensing
	70465701	Airflow Switch Cover	Moisture sensing
2	70356101	Airflow Switch Wrapper	
3	70411901	Switch	
4	70319401	Airflow Switch Arm	
5	430497	Screw	
6	70356301	Switch Bracket	
7	70319601	Airflow Switch and Arm Bracket	
8	70319201	Airflow Switch Vane	

Gas Burner Housing and Secondary Stove Limit

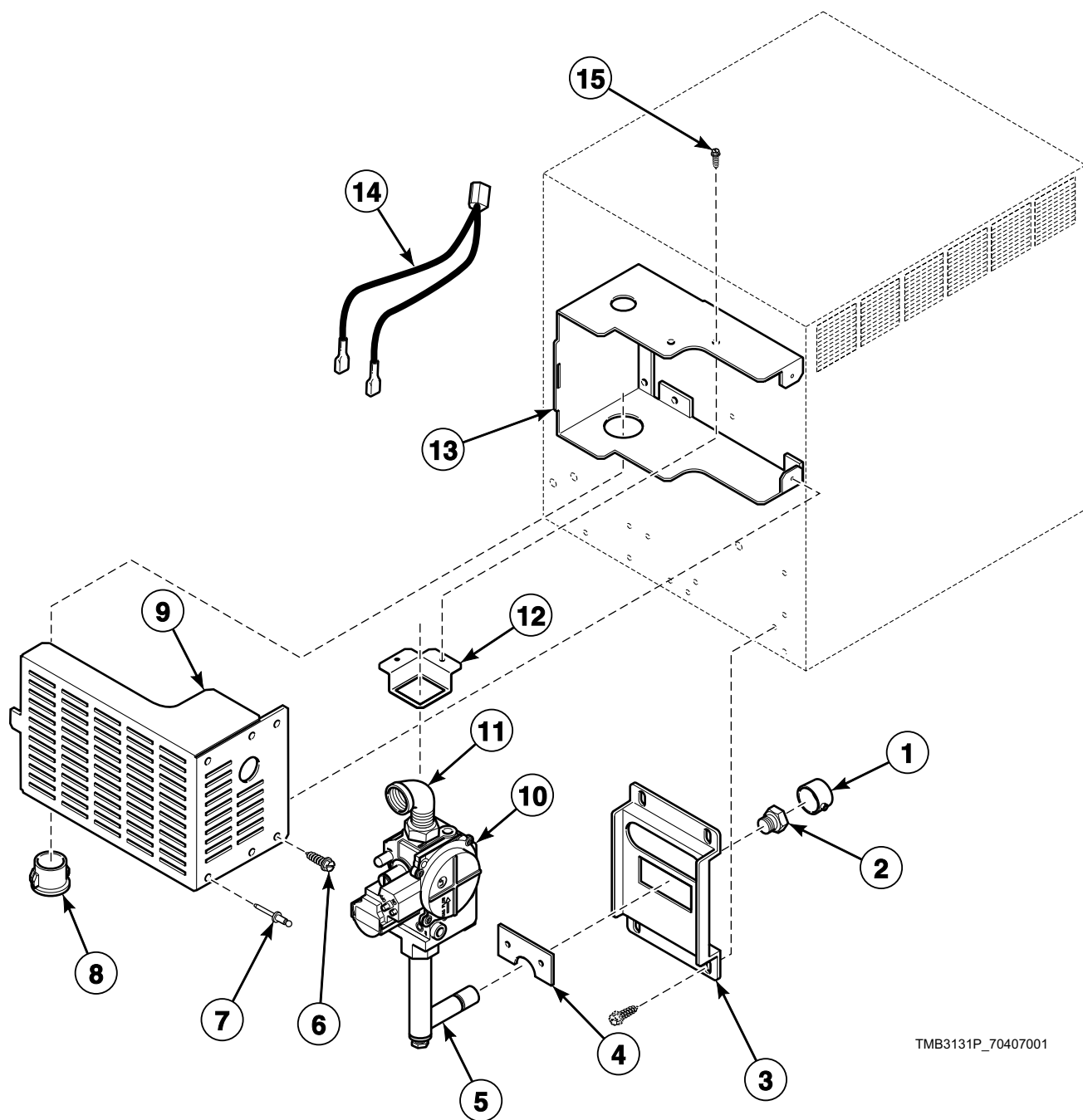


TMB2642P_70407001

Gas Burner Housing and Secondary Stove Limit

REF	PART NO.	DESCRIPTION	COMMENTS
1	430497	Screw	
2	70186301	Manual Reset Thermostat	Korean models
	M409219	Limit Thermostat	All other models
3	70282401	Rear Valve Cover	
4	70203701	Pipe Clip	
5	70032801P	Spark Electrode	Models through 9/16/12
	70466501	Spark Electrode	Models starting 9/17/12
6	05161	Screw	
7	70159601	Igniter Cover	
8	70316501	Stove Limit Harness	
9	M405188	Screw	2 required
10	70396201P	Gas Burner	
11	M414477	Thermostat Cover	
12	70299001	Limit Thermostat	Secondary
13	70396701	Burner Grill	
14	70396301	Stove Top and Sides	
15	70396801	Stove Back	

Gas Valve Assembly - Non-CE and Non-Australian Gas Models

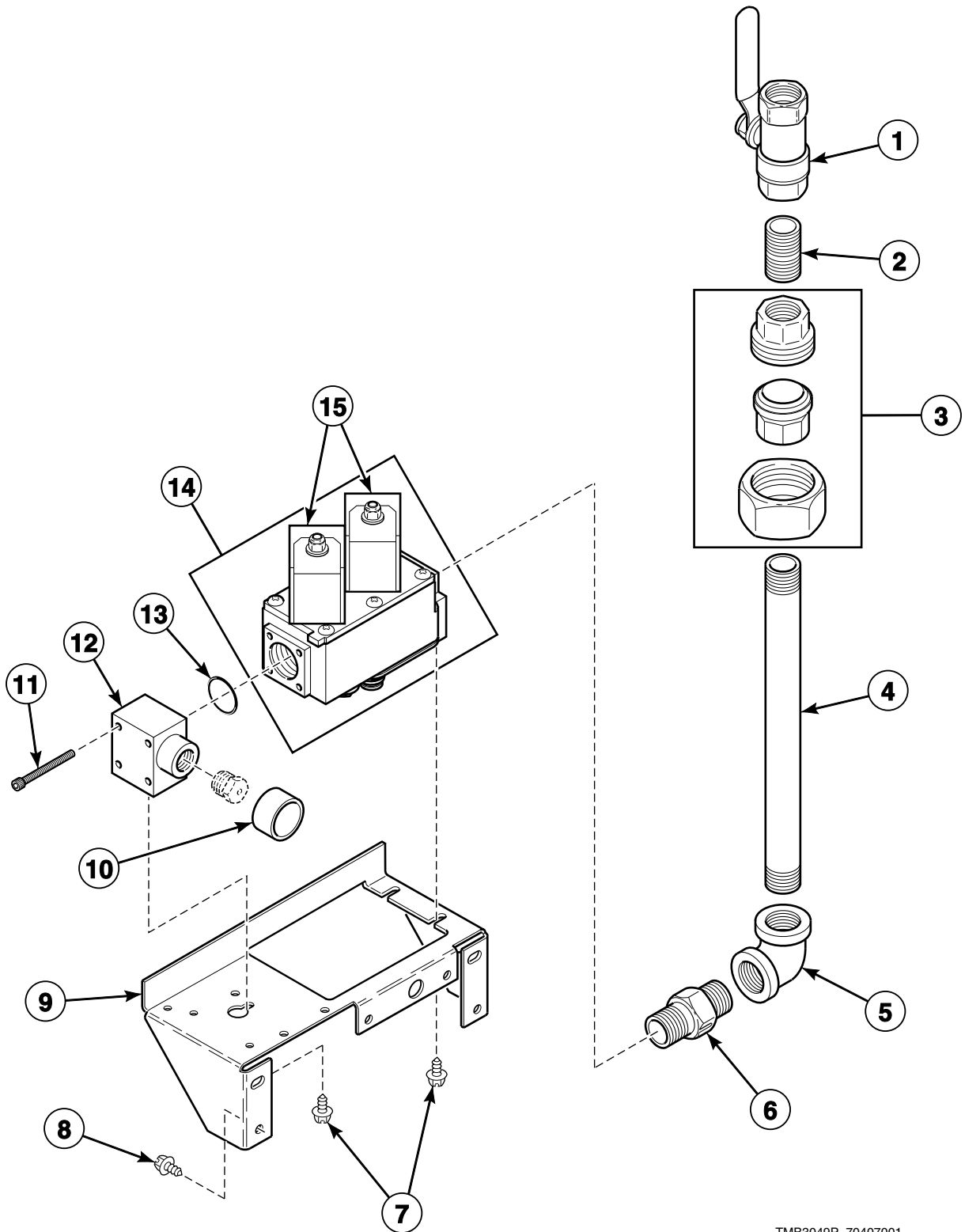


TMB3131P_70407001

Gas Valve Assembly - Non-CE and Non-Australian Gas Models

REF	PART NO.	DESCRIPTION	COMMENTS
	M4924P3	L.P. Conversion Kit	0-2,000 feet; 90,000 Btu input
1	70239801	Primary Air Adjustment Sleeve	
2	M401017	Burner Orifice	Liquid Petroleum Gas (L.P.); Drill no. 31 (3.0 mm); 0-2,000 feet
	M402444	Burner Orifice	L.P.; Drill no. 32 (2.9 mm); 2,001-4,000 feet
	M401022	Burner Orifice	L.P.; Drill no. 33 (2.9 mm); 4,001-6,000 feet; 60 Hertz; Models HT055D and ST055D
	M402487	Burner Orifice	L.P.; Drill no. 35 (2.8 mm); 6,001-8,000 feet
	M411375	Burner Orifice	L.P.; Drill no. 36 (2.7 mm); 8,001-10,000 feet
	70070902	Burner Orifice	L.P.; Drill no. 7/64 (2.8 mm); 50 Hertz; Models HT055D and ST055D
	M402982	Burner Orifice	Natural Gas (N.G.); Drill no. 8 (5.1 mm); 0-2,000 feet
	M402994	Burner Orifice	N.G.; Drill no. 10 (4.9 mm); 2,001-4,000 feet
	M411372	Burner Orifice	N.G.; Drill no. 12 (4.8 mm); 4,001-6,000 feet
	M411371	Burner Orifice	N.G.; Drill no. 14 (4.6 mm); 6,001-8,000 feet
	M411373	Burner Orifice	N.G.; Drill no. 16 (4.5 mm); 8,001-10,000 feet
3	70248901	Orifice Holder Bracket	
4	70249001	Orifice Keeper Bracket	
5	70435901P	Orifice Adapter	
6	430497	Screw	10 required
7	70058501	Pop Rivet	
8	M400770	Snap Bushing	
9	70282401	Rear Valve Cover	
10	44154501P	Gas Valve	N.G.
	44154502P	Gas Valve	L.P.
11	H86070034	Street Elbow	
12	70451901	Valve Support Bracket	
13	70328201	Forward Valve Cover	
14	M412997	Harness Assembly	
15	430497	Screw	2 required

Gas Valve and Piping - CE and Australian Gas Models



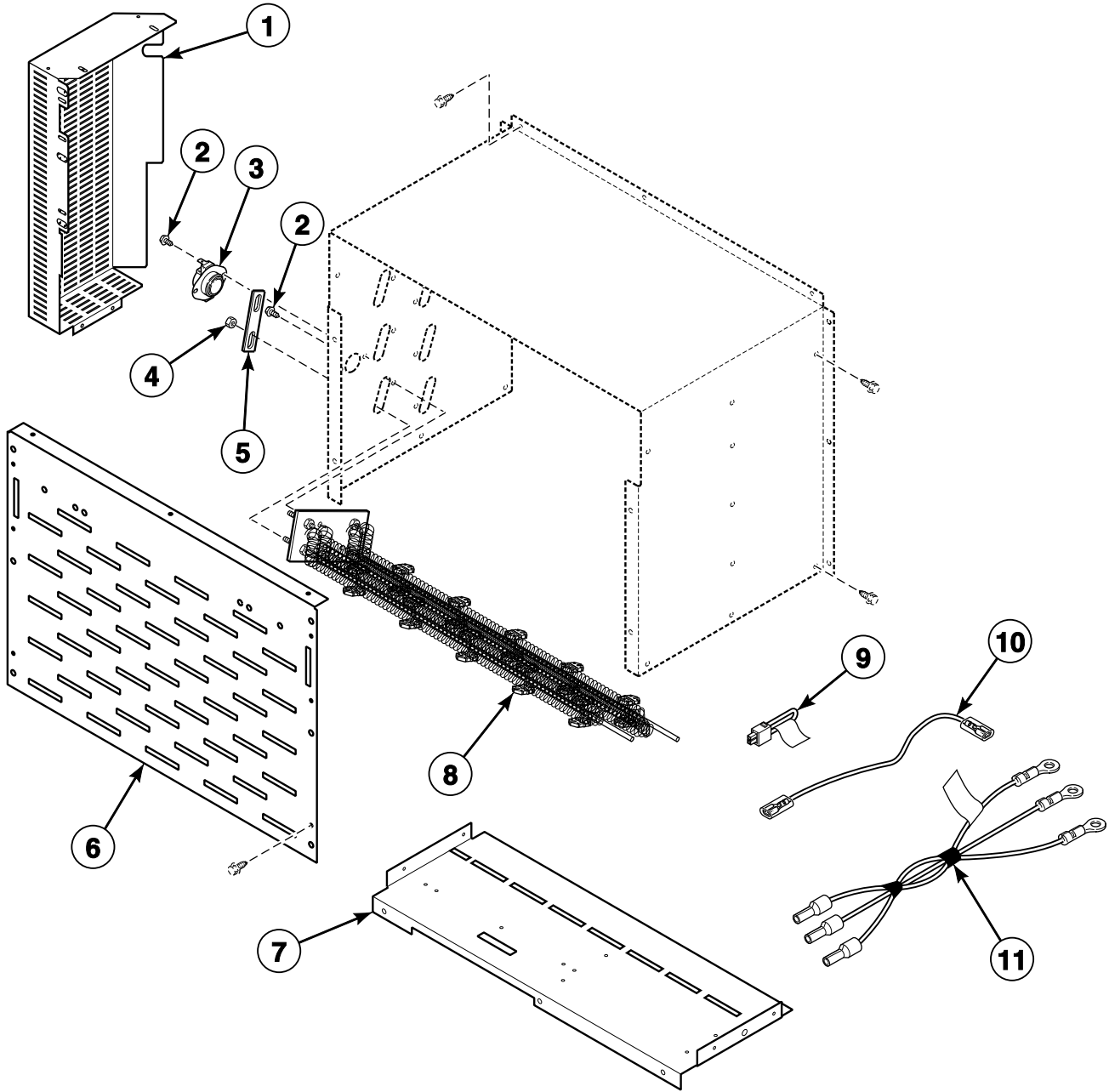
TMB3049P_70407001

Gas Valve and Piping - CE and Australian Gas Models

REF	PART NO.	DESCRIPTION	COMMENTS
	M4924P3	L.P. Conversion Kit	
1	M412562P	Gas Shut-Off Valve	Models through 1/31/10
2	901403	Pipe Nipple	1/2 NPT; Models through 1/31/10
3	H86000031	Union	Models through 1/31/10
4	70139601	Pipe Nipple	
5	70079601	Elbow	
6	70131901	Adapter	BPT/NPT
7	23222	Screw	
8	430497	Screw	
9	70233301	Gas Valve Bracket	
10	70239801	Primary Air Adjustment Sleeve	
11	431484	Screw	
12	70223501	Spud Adapter	
13	431482	O-Ring	
14	70457301P	N.G. Valve	Regulated
	70457302P	L.P. Valve	Unregulated
15	70260101	Gas Valve Coil	24 Volt

NOTE: For CE gas and orifice information, refer to Installation Manual.

Electric Heater Components

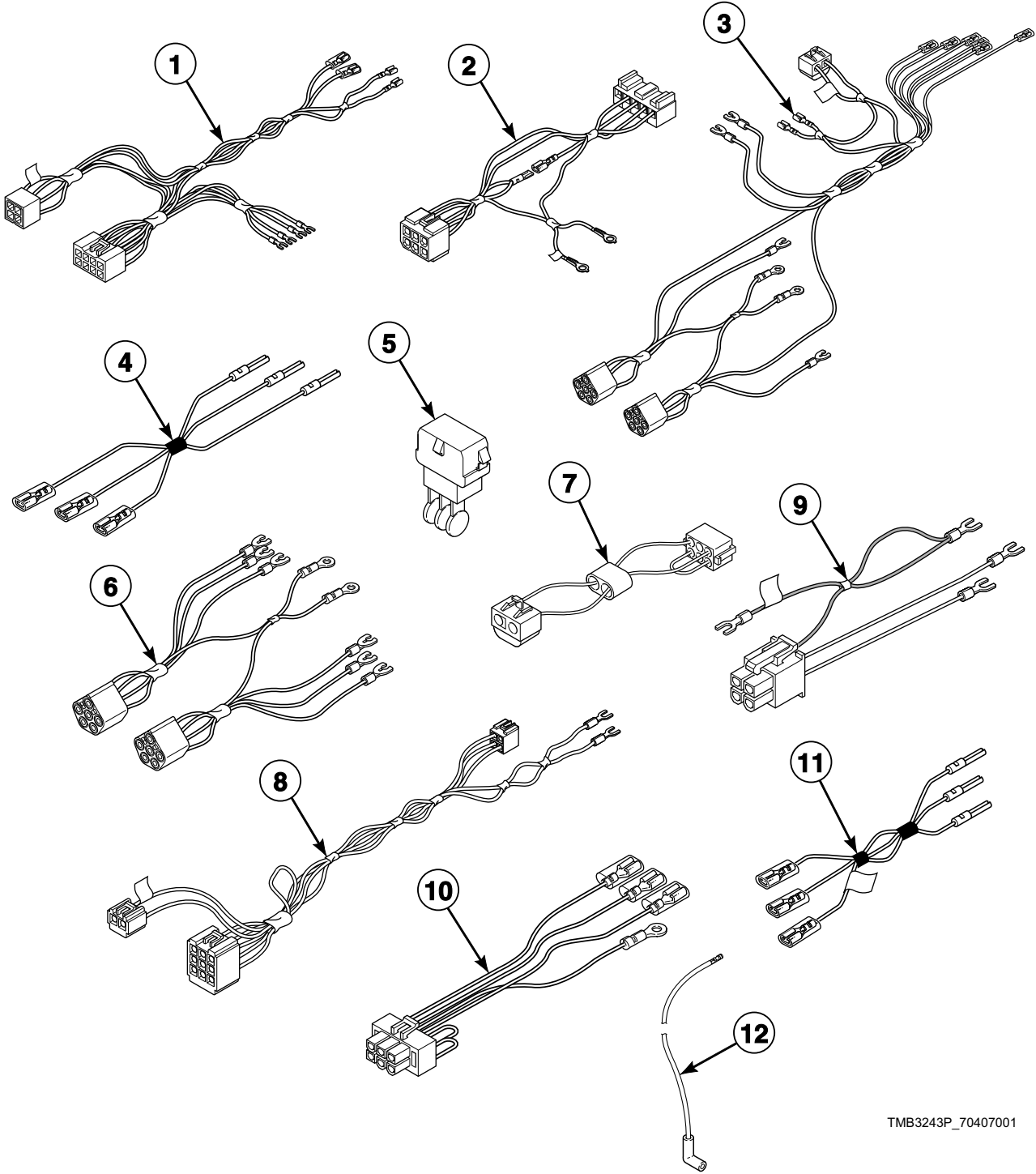


TMB3148P_70407001

Electric Heater Components

REF	PART NO.	DESCRIPTION	COMMENTS
1	70365201	Stove Connectors Cover	
2	430497	Screw	
3	M409443	Limit Thermostat	
4	70054	Nut	
5	70066501	Jumper Bar	2 required for 380, 400, 400-415 and 460-480 Volt
	M400869	Jumper Strip	3 required for 460-480 Volt models; 6 required for all other models
6	70214901	Stove Grill	
7	70357201	Stove Partition	
8	70034407P	Heater Element	Non-CE and non-Australian; 3 required; 9 kW; 208 Volt heater element for 200-208 Volt/1 or 3 Phase
	70034408	Heater Element	3 required; 9 kW; 220 Volt heater element for 380 and 440 Volt/3 Phase
	70034409P	Heater Element	3 required; 9 kW; 240 Volt heater element for 230-240 Volt/1 or 3 Phase and 400-415 Volt/3 Phase
9	70316601	Stove Limit Bypass Harness	
10	70066601	Jumper Wire	1 required for 460-480 Volt
11	70371301P	Cable Set Heater Assembly	H1-H3
	70371401P	Cable Set Heater Assembly	H4-H6; 240 Volt or less

Control Tray Harnesses for Gas Models

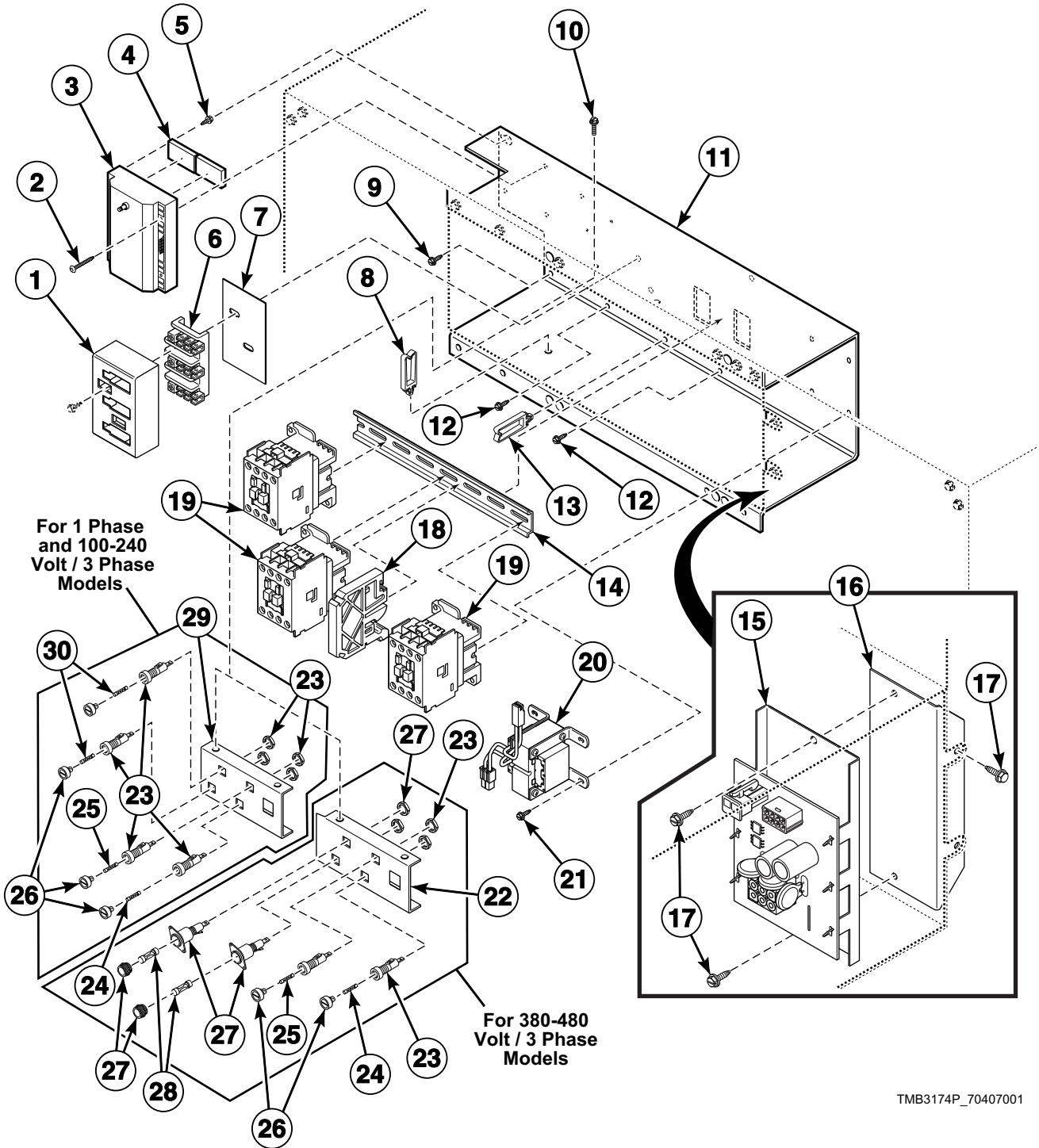


TMB3243P_70407001

Control Tray Harnesses for Gas Models

REF	PART NO.	DESCRIPTION	COMMENTS
1	70315801	Junction Box Harness	Models through 7/8/12
	70464701	Control Tray Harness	Models starting 7/9/12
2	70316401	Ignition Control Harness	CE and Australian models
	70316301	Ignition Control Harness	All other models
3	70316101P	Power Harness	CE and Australian models through 2/28/10; 3 Phase models with less than 380 Volts
	70347701P	Power Harness	Models through 2/28/10; Contactor; 1 Phase
	70332201	Power Harness	Models through 2/28/10; 3 Phase models with 380 Volts or higher
	70439001	Power Harness	CE and Australian models starting 3/1/10 through 7/8/12; 3 Phase models with less than 380 Volts
	70445501	Power Harness	Models starting 3/1/10 through 7/8/12; Contactor; 1 Phase
	70438901	Power Harness	Models starting 3/1/10 through 7/8/12; 3 Phase models with 380 Volts or higher
	70438901	Power Harness	Models starting 3/1/10 through 7/8/12; 3 Phase models with 380 Volts or higher
	70464901	Power Harness	CE and Australian models starting 7/9/12; 3 Phase models with less than 380 Volts
	70469701	Power Harness	Models starting 7/9/12; Contactor; 1 Phase
	70465001	Power Harness	Models starting 7/9/12; 3 Phase models with 380 Volts or higher
4	70120901	Jumper Disconnect Assembly	CE and Australian models
5	M413863	Network Capacitor Assembly	3O, 3V, 3X, DO, DV, DX and OM control suffixes
6	70320201	Motor Contactor Harness	Models through 2/28/10; 3 Phase
	44142601P	Motor Contactor Harness	Models starting 3/1/10 through 7/8/12; 3 Phase
	70469301	Motor Contactor Harness	Models starting 7/9/12; 3 Phase
7	M413504	Jumper Harness Assembly	100 Volt
	M413505	Jumper Harness Assembly	120 Volt
	M413506	Jumper Harness Assembly	208 Volt
	M413507	Jumper Configuration Assembly	240 Volt
	M413508	Jumper Harness Assembly	380 Volt
	M413510	Jumper Configuration Assembly	480 Volt
8	70471901	Reversing Control Board Harness	3B, 3W, BB, BW and BZ control suffixes
9	70465301	Reversing Contactor Harness	Reversing models
10	M413878	Network Capacitor Harness Assembly	Models through 7/8/12; 3O, 3V, 3X, DO, DV, DX and OM control suffixes
	44143401P	Network Capacitor Harness Assembly	Models starting 7/9/12; Also order 00177 Male Tab Terminal; 3O, 3V, 3X, DO, DV, DX and OM control suffixes
11	70342101	Gas Disconnect Harness	CE and Australian models through 2/28/10
	70440501	Gas Disconnect Harness	CE and Australian models starting 3/1/10
12	70006201	High Voltage Lead	Models through 9/16/12; Use with 70367301P or 70367401P Ignition Control
	44239702	High Voltage Suppression Cable	Models starting 9/17/12; Use with 70458601 or 70458701 Ignition Control

Control Tray for Non-CE and Non-Australian Gas Models

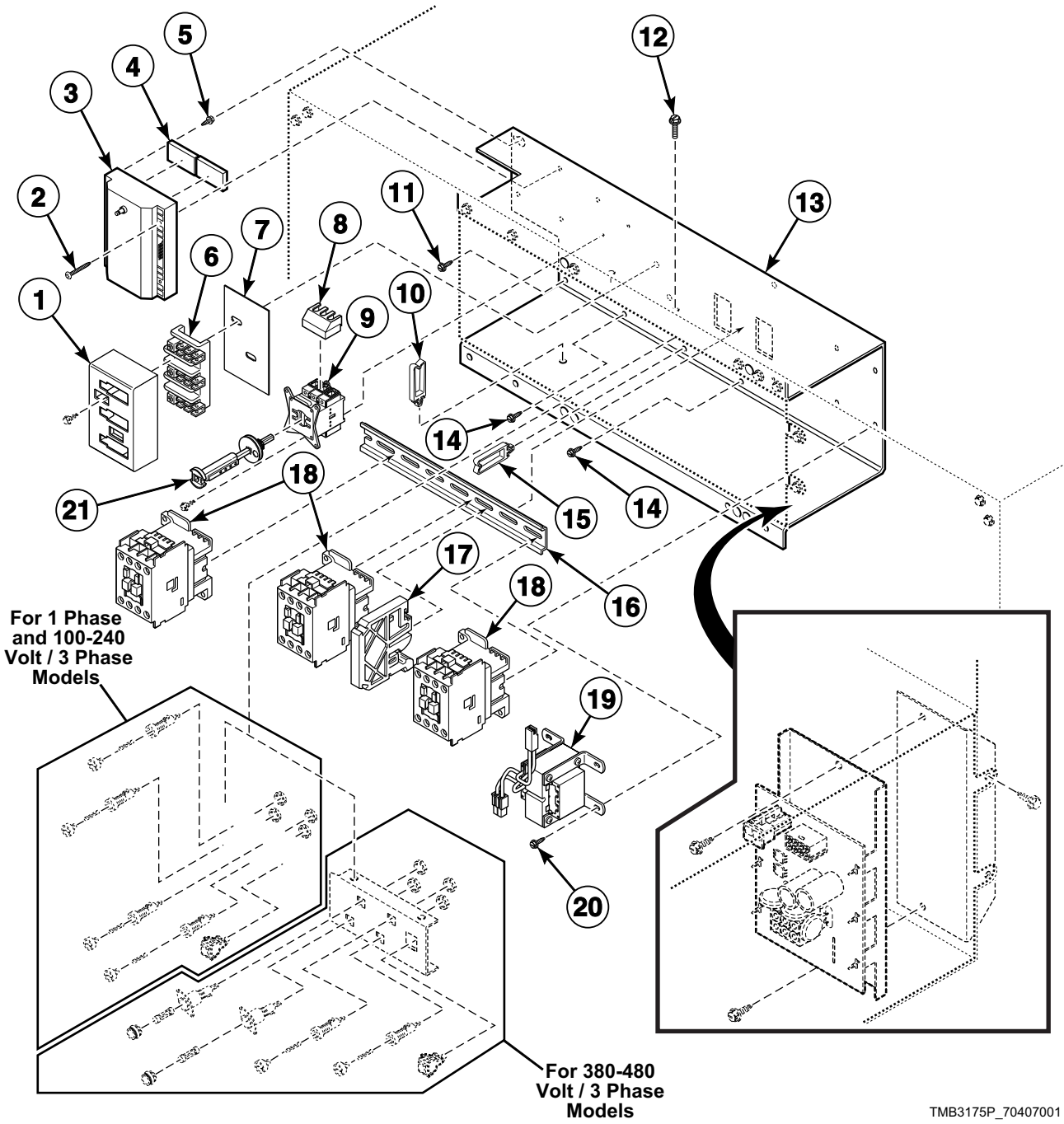


TMB3174P_70407001

Control Tray for Non-CE and Non-Australian Gas Models

REF	PART NO.	DESCRIPTION	COMMENTS
	70030501	Expansion Clip	4 required; Used on item 20
	M403047	Secure Ground Label	
1	70333001	Terminal Block Shield	
2	44083001	Screw	2 required; Models through 9/16/12
	51783	Screw	2 required; Models starting 9/17/12
3	70367301P	Ignition Control	Models through 9/16/12; Use with 70006201 High Voltage Lead
	70458601P	Ignition Control	Models starting 9/17/12; Use with 44239702 High Voltage Suppression Cable
4	56128	Bumper Pad	2 required
5	38272	Screw	
6	430642	Terminal Block	
7	M413862	Insulator	
8	70366201	Wire Clip	
9	430497	Screw	3 required
10	51780	Screw	2 required
11	70469201	Control Tray	
12	M402917	Screw	4 required
13	36274	Wire Clip	2 required
14	M412693	Din Rail	
15	70469901	Reversing Control Assembly	3B, 3W, BB, BW and BZ control suffixes
16	70472601	Bracket	3B, 3W, BB, BW and BZ control suffixes
17	F8206901	Screw	4 required
18	F330186P	Interlock Contactor	Reversing models
19	70323701P	Contactors	1 required nonreversing models; 3 required reversing models
20	M414312P	Transformer	120 Volt; Dual secondary
	M414230P	Transformer	120 Volt; Primary/secondary
	M414228P	Transformer	100-240 Volt
	M414229P	Transformer	380-480 Volt
21	M411072	Screw	4 required
22	70313601	Fuse Bracket	380-480 Volt; Models through 2/28/10
	70313602	Fuse Bracket	380-480 Volt; Models starting 3/1/10
23	70329401P	Fuse Holder Body	Includes nuts; 3 required for 1 Phase; 4 required for 3 Phase
24	70406601	Fuse	3.5 Amp
25	70406501	Fuse	1.25 Amp
26	70329501	Fuse Holder Cap	3 required for 1 Phase and 380-480 Volt/3 Phase; 4 required for 100-240 Volt/3 Phase
27	M413544P	Fuse Holder	Includes nuts; 2 required for 380-480 Volt; Models through 2/28/10
	44155601P	Fuse Holder	2 required for 380-480 Volt; Models starting 3/1/10
28	M413621	Fuse	2 required for 380-480 Volt; 0.5 Amp
29	70306901	Fuse Bracket	100-240 Volt
30	70406701	Fuse	2 Amp; 100-240 Volt

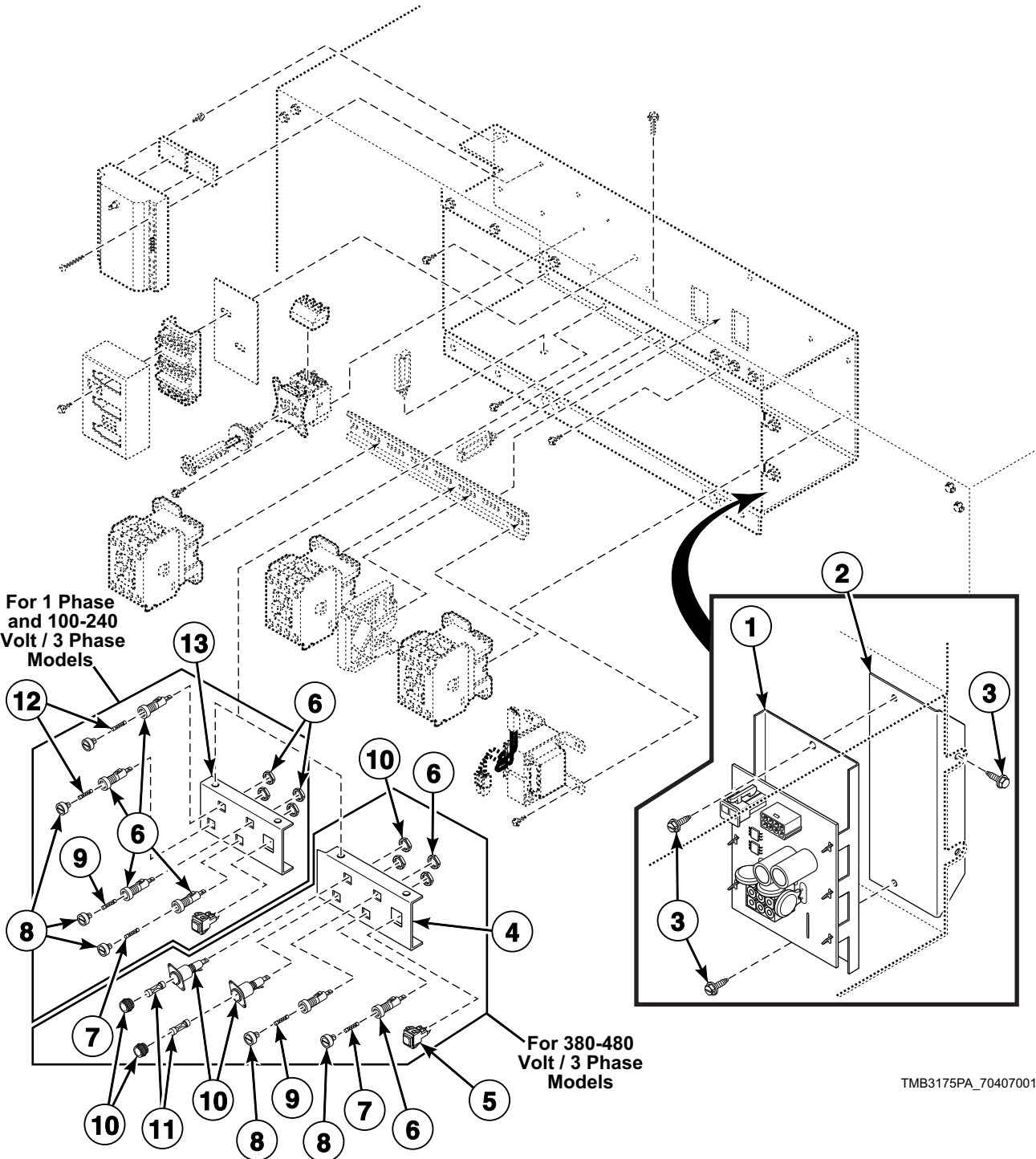
Control Tray Components for CE and Australian Gas Models (Drawing 1 of 2)



Control Tray Components for CE and Australian Gas Models (Drawing 1 of 2)

REF	PART NO.	DESCRIPTION	COMMENTS
	70030501	Expansion Clip	4 required
	M403047	Secure Ground Label	
	M412096	Earth Terminal Sticker	
	51782	Screw	2 required
	70411001	ICM Reset Label	
	44127701	Warning Label	Extended tumble; On control tray cover
1	70333001	Terminal Block Shield	
2	44083001	Screw	2 required; Models through 9/16/12
	51783	Screw	2 required; Models starting 9/17/12
3	70367401P	Ignition Control	24 Volt; CE models through 9/16/12; Australian models; Use with 70006201 High Voltage Lead
	70458701P	Ignition Control	24 Volt; CE models starting 9/17/12; Use with 44239702 High Voltage Suppression Lead
4	56128	Bumper Pad	2 required
5	38272	Screw	
6	430642	Terminal Block	
7	M413862	Insulator	
8	M412366	Finger Guard	Models through 7/31/11
9	M412187P	Mounting Switch Base	Models through 7/31/11
10	70366201	Wire Clip	
11	430497	Screw	
12	51780	Screw	2 required
13	70469201	Control Tray	
14	M402917	Screw	
15	36274	Wire Clip	2 required
16	M412693	Din Rail	
17	F330186P	Interlock Contactor	Reversing models
18	70323701P	Contactor	1 required nonreversing models; 3 required reversing models
19	M414229P	Transformer	380-480 Volt
	M414228P	Transformer	100-240 Volt
20	M411072	Screw	4 required
21	70342501P	Extension Handle	Models through 7/31/11

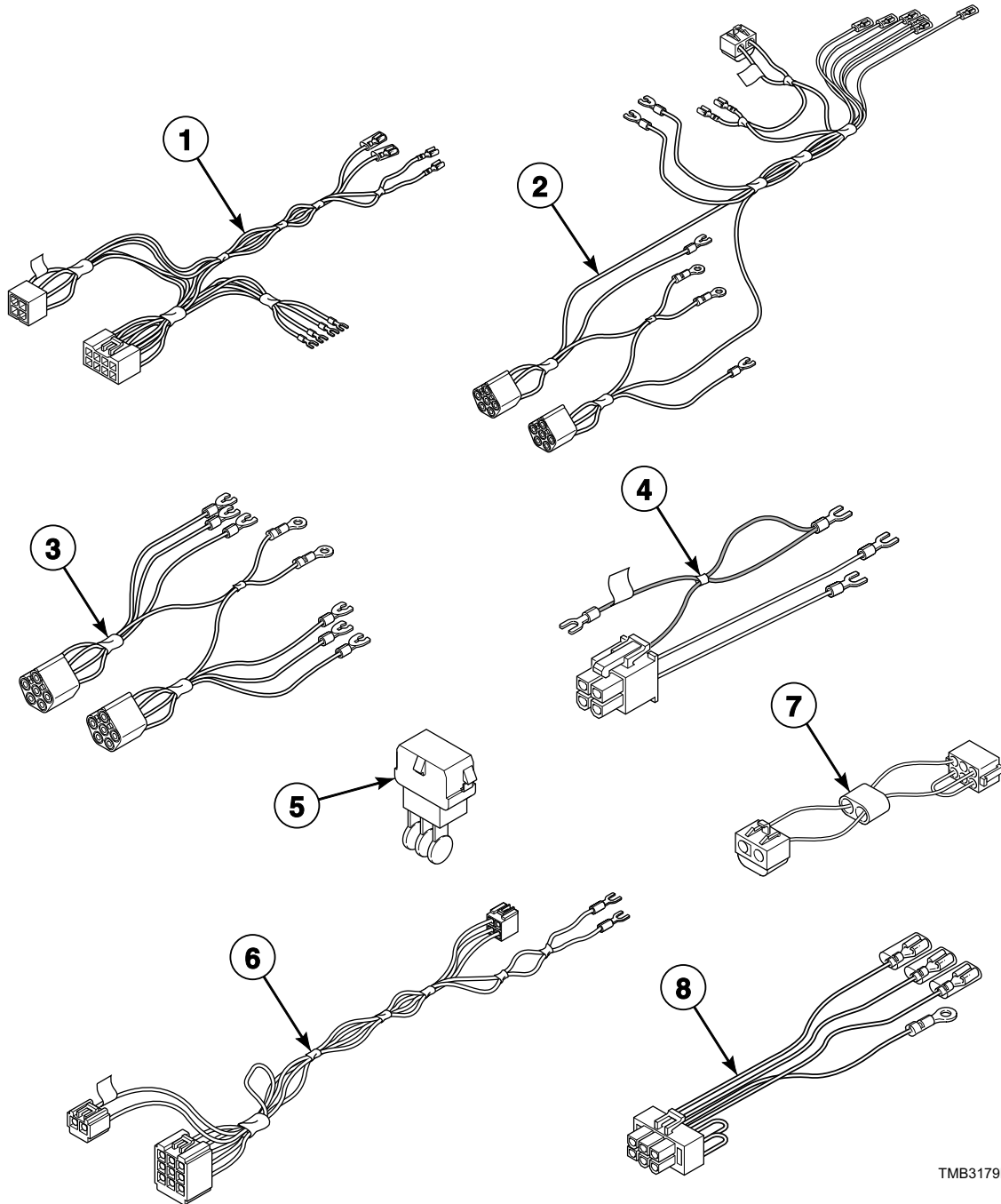
Control Tray Components for CE and Australian Gas Models (Drawing 2 of 2)



Control Tray Components for CE and Australian Gas Models (Drawing 2 of 2)

REF	PART NO.	DESCRIPTION	COMMENTS
	70030501	Expansion Clip	4 required
	M403047	Secure Ground Label	
	M412096	Earth Terminal Sticker	
	51782	Screw	2 required
	501086	Screw	4 required for item 10
	70411001	ICM Reset Label	
	44127701	Warning Label	Extended tumble; On control tray cover
1	70469901	Reversing Control Assembly	3B, 3W, BB, BW and BZ control suffixes
2	70472601	Bracket	3B, 3W, BB, BW and BZ control suffixes
3	F8206901	Screw	4 required
4	70313601	Fuse Bracket	380-480 Volt; Models through 2/28/10
	70313602	Fuse Bracket	380-480 Volt; Models starting 3/1/10
5	M413431	Pushbutton Switch	
6	70329401P	Fuse Holder Body	Includes nuts; 3 required for 1 Phase; 4 required for 3 Phase models with less than 380 Volts; 2 required for 3 Phase models with 380 Volts or higher
7	70406601	Fuse	3.5 Amp
8	70329501	Fuse Holder Cap	3 required for 1 Phase; 4 required for 3 Phase models with less than 380 Volts; 2 required for 3 Phase models with 380 Volts or higher
9	70406501	Fuse	1.25 Amp
10	M413544P	Fuse Holder	Includes nuts; 2 required for 380-480 Volt; Models through 2/28/10
	44155601P	Fuse Holder	2 required for 380-480 Volt; Models starting 3/1/10
11	M413621	Fuse	2 required for 380-415 Volt; 0.5 Amp
12	70406701	Fuse	1 required for 1 Phase; 2 required for 3 Phase; 2 Amp
13	70306901	Fuse Bracket	100-240 Volt

Control Tray Harnesses for Electric Models

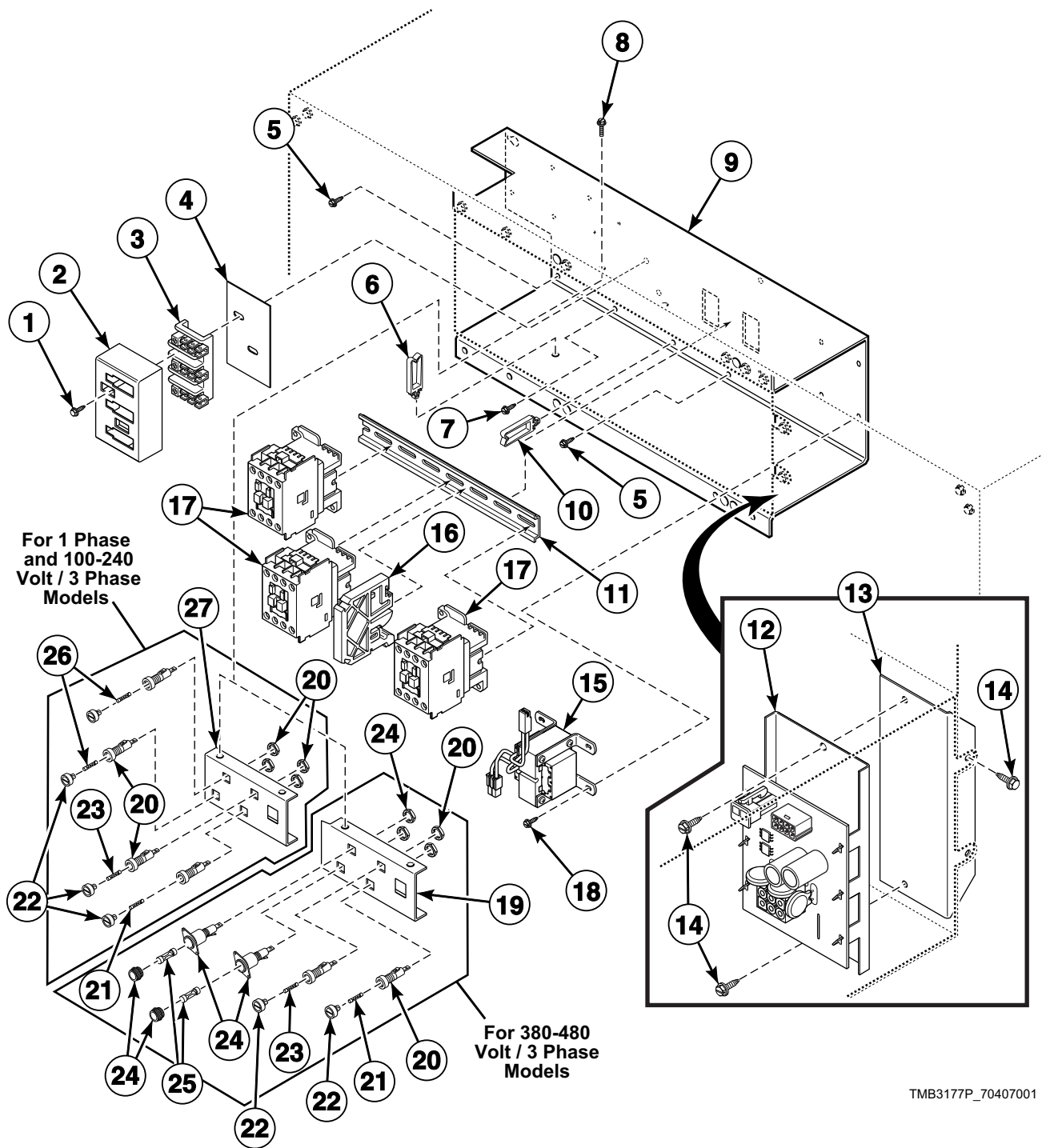


TMB3179P_70407001

Control Tray Harnesses for Electric Models

REF	PART NO.	DESCRIPTION	COMMENTS
1	70315801	Junction Box Harness	Models through 7/8/12
	70464701	Control Tray Harness	Models starting 7/9/12
2	70347701P	Power Harness	Models through 2/28/10; 1 Phase; Contactor
	70316101P	Power Harness	Models through 2/28/10; 3 Phase models with less than 380 Volts
	70332201	Power Harness	Models through 2/28/10; 3 Phase models with 380 Volts or higher
	70445501	Power Harness	Models starting 3/1/10 through 7/8/12; 1 Phase; Contactor
	70439001	Power Harness	Models starting 3/1/10 through 7/8/12; 3 Phase models with less than 380 Volts
	70438901	Power Harness	Models starting 3/1/10 through 7/8/12; 3 Phase models with 380 Volts or higher
	70469701	Power Harness	Models starting 7/9/12; Contactor; 1 Phase
	70464901	Power Harness	Models starting 7/9/12; 3 Phase models with less than 380 Volts
	70465001	Power Harness	Models starting 7/9/12; 3 Phase models with 380 Volts or higher
3	70320201	Motor Contactor Harness	Models through 2/28/10; 3 Phase
	44142601P	Motor Contactor Harness	Models starting 3/1/10 through 7/8/12; 3 Phase
	70469301	Motor Contactor Harness	Models starting 7/9/12; 3 Phase
4	70465301	Reversing Contactor Harness	Reversing models
5	M413863	Network Capacitor Assembly	3O, 3V, 3X, DO, DV, DX and OM control suffixes
6	70471901	Reversing Control Board Harness	3B, 3W, BB, BW and BZ control suffixes
7	M413505	Jumper Harness Assembly	120 Volt
	M413506	Jumper Harness Assembly	208 Volt
	M413507	Jumper Configuration Assembly	240 Volt
	M413508	Jumper Harness Assembly	380 Volt
	M413509	Jumper Harness Assembly	415 Volt
	M413510	Jumper Configuration Assembly	480 Volt
8	M413878	Network Capacitor Harness Assembly	Models through 7/8/12; 3O, 3V, 3X, DO, DV, DX and OM control suffixes
	44143401P	Network Capacitor Harness Assembly	Models starting 7/9/12; Also order 00177 Male Tab Terminal; 3O, 3V, 3X, DO, DV, DX and OM control suffixes

Control Tray for Electric Models

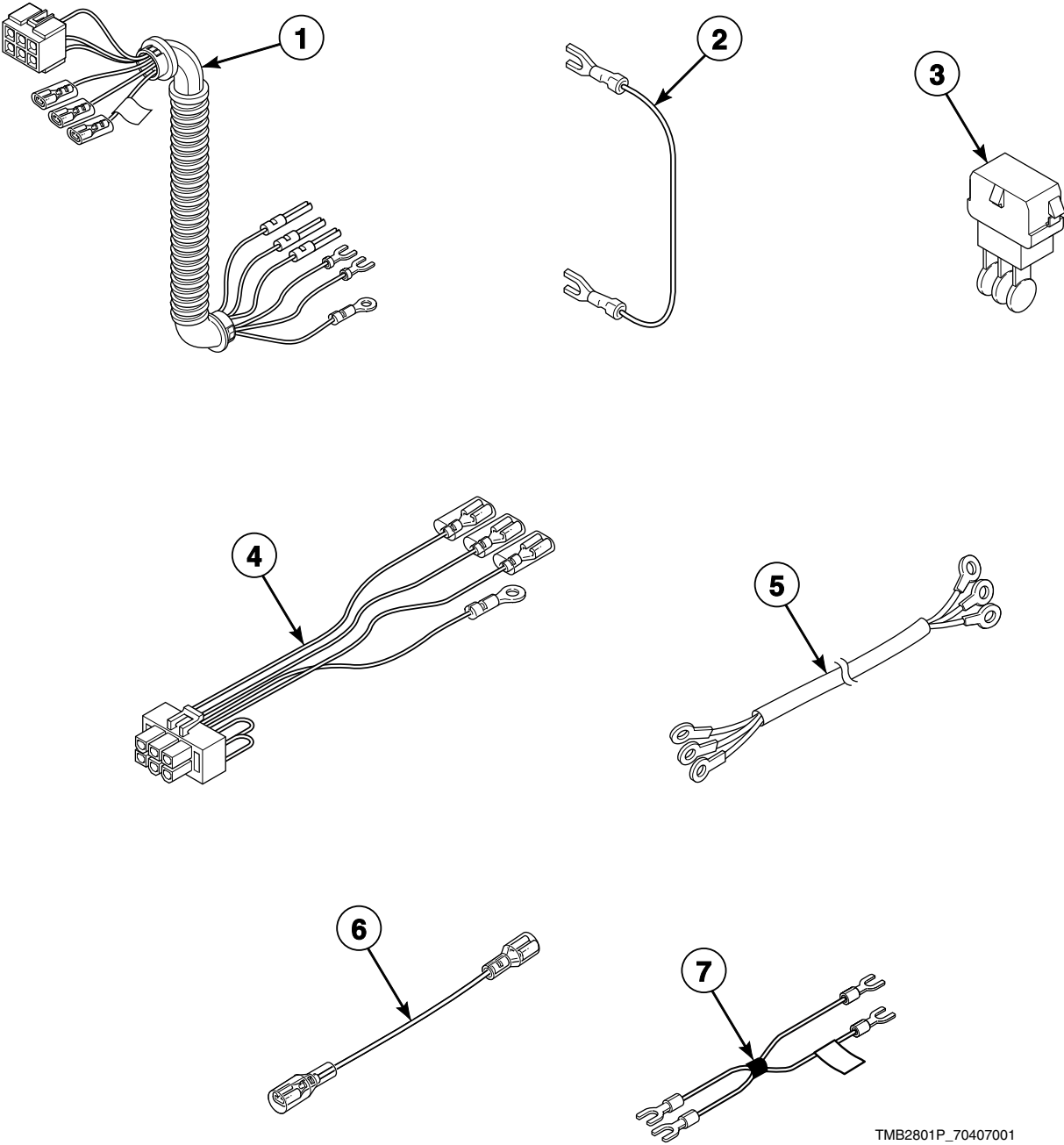


TMB3177P_70407001

Control Tray for Electric Models

REF	PART NO.	DESCRIPTION	COMMENTS
	70030501	Expansion Clip	4 required
	501086	Screw	4 required for item 24
	M412096	Earth Terminal Sticker	
	44127701	Warning Label	Extended tumble; On control tray cover
1	51783	Screw	2 required
2	70333001	Terminal Block Shield	
3	430642	Terminal Block	
4	M413862	Insulator	
5	430497	Screw	
6	70366201	Wire Clip	
7	M402917	Screw	
8	51780	Screw	2 required
9	70469201	Control Tray	
10	36274	Wire Clip	2 required
11	M412693	Din Rail	
12	70469901	Reversing Control Assembly	3B, 3W, BB, BW and BZ control suffixes
13	70472601	Bracket	3B, 3W, BB, BW and BZ control suffixes
14	F8206901	Screw	4 required
15	M414228P	Transformer	100-240 Volt
	M414229P	Transformer	380-480 Volt
	M414230P	Transformer	120 Volt; Primary/secondary
	M414312P	Transformer	120 Volt; Dual secondary
	44074401	Transformer	440 Volt; Dual secondary
16	F330186P	Interlock Contactor	Reversing models
17	70323701P	Contactor	1 required nonreversing models; 3 required reversing models
18	M411072	Screw	4 required
19	70313601	Fuse Bracket	380-480 Volt; Models through 2/28/10
	70313602	Fuse Bracket	380-480 Volt; Models starting 3/1/10
20	70329401P	Fuse Holder Body	Includes nuts; 3 required for 1 Phase; 4 required for 3 Phase models with less than 380 Volts; 2 required for 3 Phase models with 380 Volts or higher
21	70406601	Fuse	3.5 Amp
22	70329501	Fuse Holder Cap	3 required for 1 Phase; 4 required for 3 Phase models with less than 380 Volts; 2 required for 3 Phase models with 380 Volts or higher
23	70406501	Fuse	1.25 Amp
24	M413544P	Fuse Holder	Includes nuts; 2 required for 380-480 Volt; Models through 2/28/10
	44155601P	Fuse Holder	2 required for 380-480 Volt; Models starting 3/1/10
25	M413621	Fuse	2 required for 380-480 Volt/3 Phase; 0.5 Amp
26	70406701	Fuse	1 required for 1 Phase; 2 required for 100-240 Volt/3 Phase; 2 Amp
27	70306901	Fuse Bracket	

Accessory Box Harnesses for Electric Models

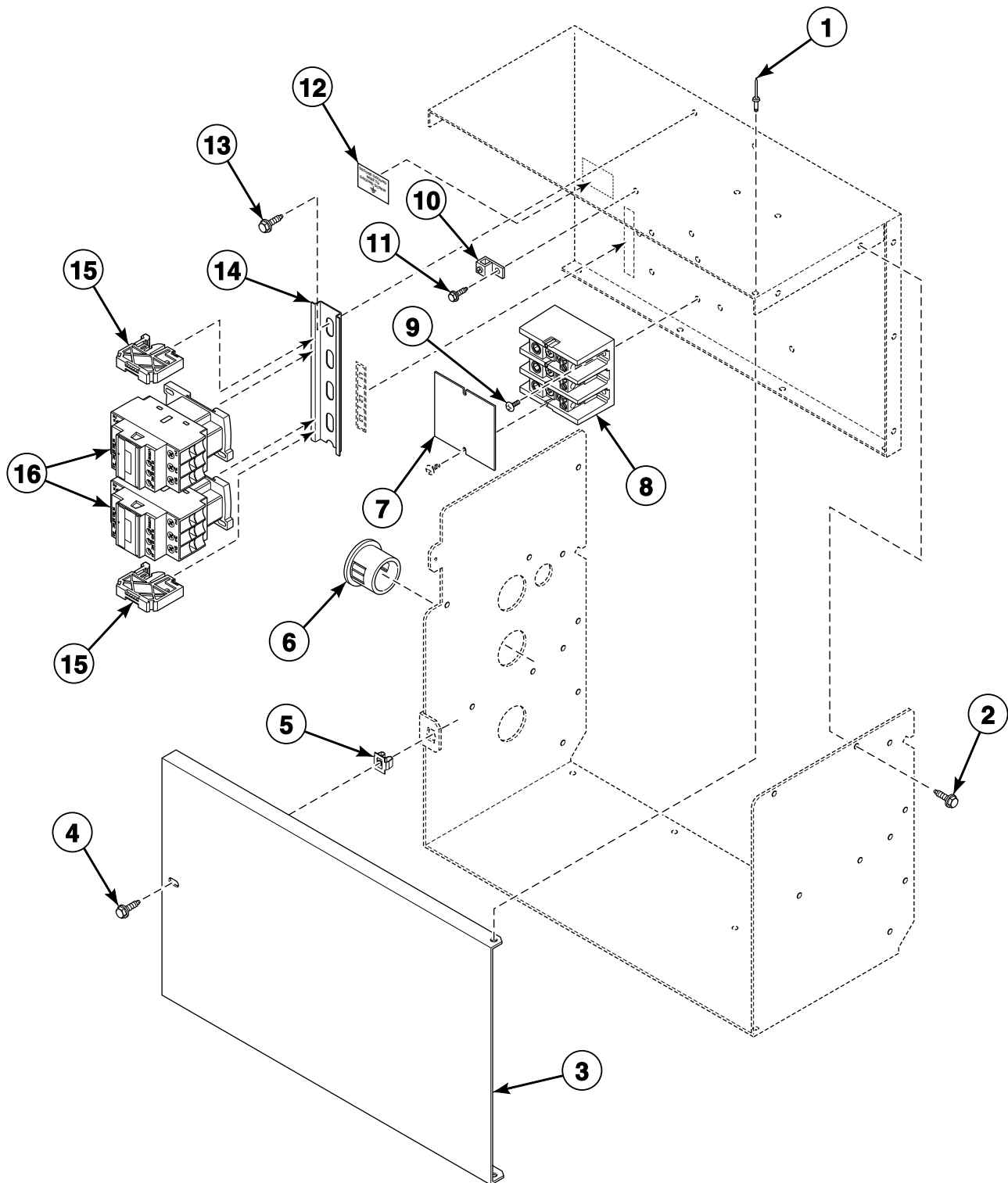


TMB2801P_70407001

Accessory Box Harnesses for Electric Models

REF	PART NO.	DESCRIPTION	COMMENTS
1	70335501P	Electric Power Buss Harness	Models through 2/28/10
	70439601	Electric Power Buss Harness	Models starting 3/1/10
2	M413933	Jumper Cable Assembly	Non-CE models; 8 gauge; 7.5 inches; 2 required for 1 Phase; 3 required for 3 Phase
	M413934	Jumper Cable Assembly	8 gauge; 8 inches; 1 required for 1 Phase; 3 required for 3 Phase
	M414121	Jumper Cable Assembly	CE models; 8 gauge; 6.75 inches; 6 required for 3 Phase models with less than 380 Volts
3	M413863	Network Capacitor Assembly	3O, 3V, 3X, DO, DV, DX and OM control suffixes
4	70286501	Network Capacitor Harness Assembly	Models through 7/8/12; 3O, 3V, 3X, DO, DV, DX and OM control suffixes
	44152001	Network Capacitor Harness Assembly	Models starting 7/9/12; 3O, 3V, 3X, DO, DV, DX and OM control suffixes
5	70371301P	Cable Set Heater Assembly	H1-H3
	70371401P	Cable Set Heater Assembly	H4-H6; Models with less than 380 Volts
6	70139001	Jumper Assembly	Non-CE models; 8 gauge; 10 inches; 2 required for 1 Phase; 3 required for 3 Phase models with less than 380 Volts
	70139101	Jumper Assembly	Non-CE models; 8 gauge; 11 inches; 1 Phase
	70138801	Jumper Assembly	CE models; 6 gauge; 8 inches; 3 required for 3 Phase
	70138901	Jumper Assembly	CE models; 2 gauge; 7.5 inches; 2 required for 1 Phase
	44014601	Jumper Wire	CE models; 8 gauge; 6.25 inches; 3 required for 3 Phase models with less than 380 Volts
	44014701	Jumper Wire	CE models; 8 gauge; 10.5 inches; 2 required for 1 Phase; 3 required for 3 Phase models with less than 380 Volts
7	70355801P	Electric Contactor Jumper Set	Models with less than 380 Volts
		Harness	

Accessory Box for Non-CE Electric Models

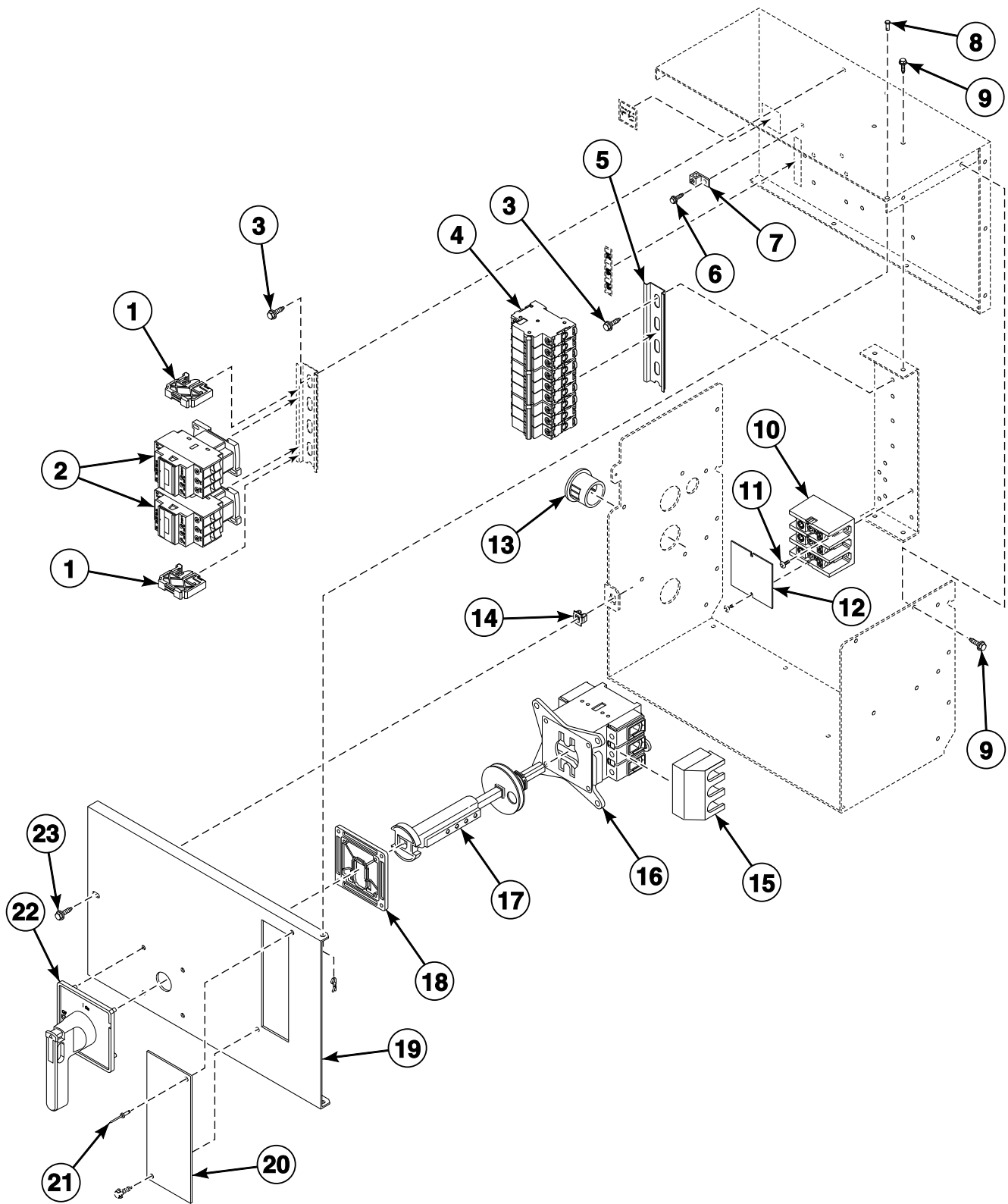


TMB2538P_70407001

Accessory Box for Non-CE Electric Models

REF	PART NO.	DESCRIPTION	COMMENTS
	M413930P	Ferrite Core Assembly	3V, 3X, DO, DV, DX and OM control suffixes
	44127701	Warning Label	Extended tumble; Use on item 3
1	70058502	Pop Rivet	2 required
2	430497	Screw	11 required
3	70358401	Accessory Box Cover	
4	33562	Screw	
5	70030501	Expansion Clip	
6	M402542	Snap Bushing	2 required
7	44014901P	Power Distribution Block Cover	
8	M413865	Terminal Block	3 pole
9	39733	Screw	6 required
10	M411283	Ground Lug Connector	
11	M402917	Screw	
12	M403047	Secure Ground Label	
13	51780	Screw	6 required
14	70366001	Din Rail	
15	M412615	End Stop	2 required
16	70343301P	Contactator	2 required for models with less than 380 Volts; 1 required for models with 380 Volts or more

Accessory Box for CE Electric Models



TMB2539P_70407001

Accessory Box for CE Electric Models

REF	PART NO.	DESCRIPTION	COMMENTS
	M413930P	Ferrite Core Assembly	3O, 3V, 3X, DO, DV, DX and OM control suffixes
	44127701	Warning Label	Extended tumble; Use on access cover
1	70121001	End Stop	2 required
2	70343301P	Contact	2 required
3	51780	Screw	14 required
4	M412401	Circuit Breaker	1 Phase
	M412407P	Circuit Breaker	3 Phase
	M412408P	Circuit Breaker	1 required for 1 Phase; 2 required for 3 Phase
5	M412693	Din Rail	
6	M402917	Screw	
7	M411283	Ground Lug Connector	
8	70058502	Pop Rivet	2 required
9	430497	Screw	11 required
10	M413865	Terminal Block	3 pole
11	39733	Screw	4 required
12	44014901P	Power Distribution Block Cover	
13	M402542	Snap Bushing	2 required
14	70030501	Expansion Clip	
15	M412367	Finger Guard	Models through 7/31/11
16	M412186	Mounting Switch Base	Models through 7/31/11
17	M412371P	Extension Handle	Models through 7/31/11
18	M412369	Door Interlock	Models through 7/31/11
19	70358402	Accessory Box Cover	
20	70133901	Electrical Box Access Cover	
21	70058501	Pop Rivet	2 required
22	70268001	Handle	Models through 7/31/11
23	33562	Screw	3 required

Parts Index

A

Access Panel Trim	
70399406	55
70399408	55
Accessory Box Cover	
70358401	103
70358402	105
Adapter	
70131901	85
Adjustable Buzzer	
505447	19
Airflow Switch and Arm Bracket	
70319601	79
Airflow Switch Arm	
70319401	79
Airflow Switch Cover	
70356601	79
70465701	79
Airflow Switch Vane	
70319201	79
Airflow Switch Wrapper	
70356101	79

B

Bearing Housing Bracket	
70021401	77
Belt	
70276204P	69, 71
Belt Access Cover	
70466001	71
Belt Tension Tool Kit	
M4853P3	69
Blower Assembly	
70302201P	73
Blower Motor	
70297901P	73
70342601P	73
70401401	73
Blower Motor Mounting Plate	
70380801	73
Bolt	
70062401	69, 71
70467501	71
Bracket	
44065901	67
70472601	91, 95, 99
Bumper Pad	
56128	91, 93
Burner Grill	
70396701	81
Burner Orifice	
M401017	83
M401022	83
M402444	83
M402487	83
M402982	83
M402994	83

M411371	83
M411372	83
M411373	83
M411375	83
70070902	83
Bushing	
44239501	71
Buzzer Kit	
M4860P3	15
Bypass Harness	
70364103	15, 17, 21, 25, 33, 37, 45, 47, 49

C

Cable Set Heater Assembly	
70371301P	87, 101
70371401P	87, 101
Cam and Hinge Kit	
M4772P3	51
M4773P3	51
Card Reader and Bracket Assembly	
510068P	33
Card Reader Harness Assembly	
70211801	33
Card Reader Network Harness Assembly	
70206601	33
Card Reader Overlay	
70334201	25
70334301	25, 45
Center Cylinder Seal	
70066005	61
Center Pan	
70376701	63
Center Partition	
70376801	63
Circuit Board Support	
501523	67
Circuit Breaker	
M412401	105
M412407P	105
M412408P	105
Coin Chute Assembly	
70296401	55
Coin Cover Overlay	
70246301	23
Coin Drop	
38963P	27
70256402P	27
70429001	27
70441601P	27
Coin Drop Assembly	
210195	27
210196	27
38462P	27
38463	27
38464P	27
38467	27
38472	27
38475	27
38519	27
38521	27

N/A items do not appear in index.

39157	27	Control Box Top	
44039701P	19	44065401	67
44039702	19	Control Chassis Mounting Bracket	
44039703	19	70357901	15
44039704	19	Control Harness	
44039705	19	70426501P	67
44039706	19	Control Housing Cover	
44039707	19	70307002	39
70441602	27	Control Kit	
70447301	27	505905P	31, 33
70471601	27	70228401P	21
70482401	27	Control Overlay	
Coin Drop Kit		44194801	35
CK077	27	70410001	35
Coin Drop Overlay		70410002	35
39564	23	70449501	35
Coin Identification Paper		70473001	43
38725	27	70473002	43
Coin Vault Assembly		70473003	45
70180101	55	70473301	35
Coin Vault Switch Harness		Control Panel	
70364104P	17, 23, 31, 35, 43, 55	70376001*	53
Coin Vault Trim		70376002	53
70117502	55	70376003*	53
Communication Board		70376004	53
210095P	41	70417101B	53
Communication Connector		70417101*	53
210099	41	70417102	53
Communication Wire Harness Assembly		70417103*	53
800246	39	70417104	53
Compression Spring		70417105*	53
70467601	71	70417106	53
Contact Block		70417108B	53
44018701	57	Control Panel Harness	
Contact Block Switch		44240301	47, 49
F200233401	57	70315601P	17
Contact Switch		70335301P	21
F8069501	57	70367001P	15
Contactactor		70368001P	25, 31, 33
70323701P	91, 93, 99	70410401P	35, 37, 43, 45
70343301P	103, 105	Control Panel Harness Assembly	
Control		70315701	17
44063801P	67	70368001P	23
Control Assembly		Control Plate and Studs Assembly	
511867P	23, 25	70440901	49
512202P	15	Control Plate Assembly	
70434101P	47, 49	44040901	19
70437102P	49	44041001	19
70437104P	49	70175805	21
70450501P	35, 37	70175807	23
70450502	43, 45	70336501	45
70450503	35, 37	70348801	25, 33, 37
70450504	43, 45	70360601	15
70454001P	47	70419701	31
70454101P	49	70432101	47
70462301P	17	70475601	47
70462302P	17	Control Plate Kit	
70462361P	17	44050701P	17
70462362P	17	70291001P	35, 43
Control Box Base		Control Set	
44065301	67	70370201P	15
Control Box Cover		Control Tray	
44065201	67	70469201	91, 93, 99
Control Box Housing		Control Tray Harness	
44065101	67	70464701	89, 97

N/A items do not appear in index.

Control Trim	
44016301	55
44016401	55
Cylinder and Trunnion Assembly	
70444101	61
70444102	61
70444103	61
Cylinder Assembly	
70408801P	61
70408802P	61
70408803	61
Cylinder Bearing Stud Plate Assembly	
430352	61
Cylinder Guide Tool	
263P4	61
Cylinder Idler Arm	
70259901	69
Cylinder Motor Harness Assembly	
70401001	61, 69
70401101	61, 69
70439701	61, 69
70440101	61, 69
70465801	61, 71
Cylinder Rib Assembly	
70433004	61
Cylinder Shroud	
70427501	63
70427502	63

D

Damper and Hinge Exhaust Assembly	
70209501	73
Din Rail	
M412693	91, 93, 99, 105
70366001	103
Display Assembly	
512218P	15
Door Assembly	
44028902P	51
44028903	51
44058102P	51
44112101	51
70407401	51
Door Glass	
44008401P	51
44008402P	51
Door Glass Installation Tool	
M4221P4	51
Door Handle	
44007901	51
44057702	51
Door Hinge Assembly	
44075205*	51
44075206	51
44075209B	51
Door Hinge Lug Assembly	
44035001	51
44035002	51
Door Interlock	
M412369	105
Door Latch	
M401223	55

Door Ring	
44007703B	51
44007704B	51
Door Ring and Handle Assembly	
44112001	51
Door Ring Assembly	
44007702	51
Door Ring Gasket	
44008201P	51
Door Seal Kit	
70211902P	51
Door Switch Actuator Kit	
70215001P	51
Double Ended Stud	
70334701	69
Drive Access Cover	
70196301	73
70202501	69
Drive Motor	
70298401P	69
70392901P	69
70401501	69
70401601	69
70401701	69
70401801	69
70459001P	71
Drive Motor Plate	
44261401	71
Drive Rivet	
M400713	67
Drum Idler Spring	
70045301	69
Drywall Screw Magnet Kit	
70343101P	61

E

Earth Terminal Sticker	
M412096	93, 95, 99
Elbow	
70079601	85
70428101	65
Electric Contactor Jumper Set Harness	
70355801P	101
Electric Power Buss Harness	
70335501P	101
70439601	101
Electrical Box Access Cover	
70133901	105
Electronic Coin Drop Assembly	
70294103P	27
70294104	27
70294105P	27
70294106	27
70294107	27
70294111	27
70294116	27
70294117	27
70294119	27
70294120	27
70294121	27
Electronic Coin Drop Harness	
44065801	27

N/A items do not appear in index.

Electronic Coin Drop Kit		Fire Suppression System Label	
CK099	29	44128901	53
CK100	29	Foam Gasket	
CK101	29	70414101	15, 17, 19, 21, 23, 25, 31, 33, 35, 37, 43, 45
CK103	29	Forward Valve Cover	
CK108	29	70328201	83
CK109	29	Front Cylinder Seal	
CK113	29	70173402	53
CK115	29	Front Panel Assembly	
CK116	29	70413001*	53
CK117	29	70413002	53
CK118	29	70413003*P	53
CK119	29	70413004	53
CK120	29	70413005*	53
CK121	29	70413006P	53
CK122	29	Fuse	
Electronic Control		M413621	91, 95, 99
44037801P	19	70406501	21, 91, 95, 99
Electronic OPL Control Kit		70406601	91, 95, 99
M4689P3	21	70406701	91, 95, 99
Emergency Stop Contact Harness		Fuse Bracket	
70364105P	57	70306901	91, 95, 99
Emergency Stop Harness		70313601	91, 95, 99
70364106P	57	70313602	91, 95, 99
Emergency Stop Label		Fuse Holder	
M412235	57	M413544P	91, 95, 99
Emergency Stop Pushbutton		44155601P	91, 95, 99
F200233500	57	Fuse Holder Body	
End Cap		70329401P	91, 95, 99
70070101	61	Fuse Holder Cap	
70070102	61	70329501	91, 95, 99
End Stop			
M412615	103		
70121001	105		
Ethernet Gateway Kit			
NK320	35, 37, 47		
Exhaust Thimble			
70015601	73		
Expansion Clip			
70030501	55, 91, 93, 95, 99, 103, 105		
Extension Handle			
M412371P	105		
70342501P	93		
		G	
		Gas Burner	
		70396201P	81
		Gas Disconnect Harness	
		70342101	89
		70440501	89
		Gas Shut-Off Valve	
		M412562P	85
		Gas Valve	
		44154501P	83
		44154502P	83
		Gas Valve Bracket	
		70233301	85
		Gas Valve Coil	
		70260101	85
		Gasket	
		70392701P	73
		Graphic Overlay	
		44050401	17
		44050501	17
		44050502	17
		44239401	17
		44239402	17
		44240501	17
		Ground Lug Connector	
		M411283	103, 105

N/A items do not appear in index.

H

Handle	
70268001	105
Handle and Caps Assembly	
70154411	59
70154412	59
Handle Bar	
70399501B	51
Handle Bumper	
70407206	59
Harness Assembly	
M412997	83
Heater Element	
70034407P	87
70034408	87
70034409P	87
High Voltage Lead	
70006201	89
High Voltage Suppression Cable	
44239702	89
Hold-Down Clip	
35358	63
35865	63
Hole Plug	
44024201	51
70063201	63
Hose	
44073304	67
Hose Clamp	
36801	67
Hose Fitting	
44069101	67

I

ICM Reset Label	
70411001	93, 95
Idler Bracket	
70443301	69
Idler Holder	
70464501	71
Idler Spacer	
70464601	71
Idler Wheel Assembly	
70050401P	69, 71
Igniter Cover	
70159601	81
Ignition Control	
70367301P	91
70367401P	93
70458601P	91
70458701P	93
Ignition Control Harness	
70316301	89
70316401	89
Insulator	
M413862	91, 93, 99
Interlock Contactor	
F330186P	91, 93, 99

J

Jumper Assembly	
70138801	101
70138901	101
70139001	101
70139101	101
Jumper Bar	
70066501	87
Jumper Cable Assembly	
M413933	101
M413934	101
M414121	101
Jumper Calibration Assembly	
70084301	21
Jumper Calibration Wire	
70324602 15, 23, 25, 31, 33, 35, 37, 43, 45, 47, 49	
Jumper Configuration Assembly	
M413507	89, 97
M413510	89, 97
Jumper Disconnect Assembly	
70120901	89
Jumper Harness Assembly	
M413504	89
M413505	89, 97
M413506	89, 97
M413508	89, 97
M413509	97
Jumper Strip	
M400869	87
Jumper Wire	
44014601	101
44014701	101
44014801	101
70066601	87
Junction Box Harness	
70315801	89, 97

K

Key	
70144101	73
70155601	55
70155602	55
Kickplate	
70117613	59
70117614	59

L

Label	
44108201	53
70414001	51
Leveling Leg	
34319	63
Light	
801432	67
Limit Thermostat	
M409219	81
M409443	87
M411307	73
70299001	81

N/A items do not appear in index.

Lint Panel	
70375701*	59
70375702	59
Lint Panel Gasket	
70289101P	59
Lint Panel Switch Bracket	
70277301	63
Lint Screen	
44063601	63
Lock Shim	
70342401	55
Lock, Key and Nut Kit	
44089301P	55, 67
44089302P	55
Lower Rear Panel	
70377201	73
L.P. Conversion Kit	
M4924P3	83, 85
L.P. Valve	
70457302P	85

M

Main Harness	
70441301	15, 21, 23, 25, 35, 37, 47, 49
70467801	15, 21, 23, 25, 31, 33, 35, 37, 43, 45, 47, 49
Male Tab Terminal	
00177	15, 19
Manual Reset Thermostat	
70186301	81
Membrane Switch	
M414368P	21
44037901P	19
44039402P	19
Mixing Valve	
36958P	67
Moisture Sensor Harness Assembly	
70448901	75
Moisture Sensor Test Wires	
70468901	75
Motor Bracket	
70464101	71
Motor Capacitor	
70413101	69
70413102	73
70413201	69
70413202	73
Motor Channel	
70261701	69
Motor Conduit Mounting Bracket	
70321701	69, 73
Motor Contactor Harness	
44142601P	89, 97
70320201	89, 97
70469301	89, 97
Motor Drip Pan	
70427001	73
Motor Mount Bracket	
70127301	69
Motor Plate Cover	
70464201	71

Motor Pulley	
70284204	69
70284208	69
70457401	71
Mounting Plate	
70208801	25, 33, 37, 45
Mounting Switch Base	
M412186	105
M412187P	93

N

Nameplate	
B12389801	55
44062901	55
44129907	55
Nameplate Overlay	
44144401	51, 55
44147101	55
70115601	55
70410201	55
70411401	53, 55
70460801	55
Network Board Assembly	
201341	39
Network Capacitor Assembly	
M413863	89, 97, 101
Network Capacitor Harness Assembly	
M413878	89, 97
44143401P	89, 97
44152001	101
70286501	101
Network Controller Kit	
NK220	35, 37, 47
Network Retrofit Kit	
NK206	35, 37, 47
Network Wire Harness Assembly	
44088501P	39
Nozzle Bracket	
70424201	65
70428601	65
Nozzle Hole Cover	
70429301	65
Nut	
F431025	71
M400022	61, 73
M400034	61, 73
M400035	75
M404993	63
M412986	61, 69, 71
M414215	51
21899	63
23951	59
24205	15
27222	69, 71
29787	15, 17, 19
29796	69
430576	63
44071201	51
44087201	61
44088801	55
51236	59
56156	69
70054	15, 21, 23, 25, 31, 33, 35, 43, 47, 49, 51, 87
70466601	71

N/A items do not appear in index.

N.G. Valve	
70457301P	85

O

Opto Coupler	
200674P	27
Orifice Adapter	
70435901P	83
Orifice Holder Bracket	
70248901	83
Orifice Keeper Bracket	
70249001	83
O-Ring	
431482	85
Output Harness	
44186101	47, 49
Overlay	
44130002	21
44144301	31
44144302	31
44149301	33
70115801	21
70128701	21
70130401	21
70130601	21
70257701	23
70257702	23
70257703	25
70258001	23
70258002	23
70258003	25
70258101	23
70261001	23
70261002	23
70261201	23
70261202	23
70362201	15
70362202	15
70362501	15
70362502	15
70410003	37
70432201	47
70445001	49
70445002	49
70445003	49
70445004	49
70453001	23
70453002	23
70453101	25
70462401	49
70462402	49
70462701	49
70462702	49
70462901	49
70462902	49

P

Panel Locator	
56079	15, 55, 59
PC Board Standoff	
210098	41

Pin	
70071401	51
Pipe Clip	
70203701	81
Pipe Nipple	
70139601	85
901403	85
Pop Rivet	
44166601	55
70058501	51, 63, 83, 105
70058502	103, 105
70126301	59
70126401	59
70412601	51
Porcelain Touch-Up Paint	
122P4P	63
215P4P	63
370P4P	63
Power Distribution Block Cover	
44014901P	103, 105
Power Harness	
70316101P	89, 97
70332201	89, 97
70347701P	89, 97
70438901	89, 97
70439001	89, 97
70445501	89, 97
70464901	89, 97
70465001	89, 97
70469701	89, 97
Primary Air Adjustment Sleeve	
70239801	83, 85
Pushbutton	
44018801	57
Pushbutton Switch	
M413431	95
70413301	23, 25, 31, 33, 35, 37, 43, 45, 55
Push-to-Start Switch	
801434W	67

R

RC Filter Kit	
M4457P3	21
Rear Bearing Shim	
70355001	61
Rear Cylinder Bearing Housing	
70013901	61
Rear Cylinder Channel	
70305201	61
70305202	61
Rear Cylinder Channel Plate	
70305301	61
Rear Cylinder Seal	
70013704P	61
Rear Cylinder Seal Support	
70305401	61
Rear Lint Panel	
70376601	59
Rear Valve Cover	
70282401	81, 83
Relay	
M412534	19

N/A items do not appear in index.

Relay/Buzzer Bracket 44041701	19	501524	15, 23, 25, 31, 33, 35, 37, 43, 45, 47, 49, 51
Replacement Door Handle Kit 70133501P	51	51780	65, 67, 91, 93, 99, 103, 105
Reversing Contactor Harness 70465301	89, 97	51782	93, 95
Reversing Control Assembly 70469901	91, 95, 99	51783	91, 93, 99
Reversing Control Board Harness 70471901	89, 97	61199	51
Rocker Switch 70455101	15	62588	61
70461301	15	70033502	51
Roller Bearing Assembly 70298701P	63	70069901	15, 47
Roller Catch Arm 70030301	59	70072801	59
Roller Catch Spacer 70030201	59	70126101	73
Roller Catch Wheel 70297601	59	70132301	59
Roller Seal 70443601	63	70153301	77
Roller Shaft 70249501	63	70391101	61
Rotation Sensor F8066201	77	70407301	51
Rotation Sensor Bracket 44044401	77	Secure Ground Label M403047	91, 93, 95, 103
Rotation Sensor Cover 44044301	77	Sensor Harness 70426601P	67
Rotation Sensor Harness F8066401	77	Shadow Box Clip M400972	55
70476101	77	Shaft Collar 70467001	71
Rotation Sensor Kit 7009P	77	Sheet Metal Edge Gasket 70015711	63
		70015712	63

S

Screw		Side Panel 70378701*P	63
F8206901	91, 95, 99	70378801*P	63
F8368701	71	Sleeve 44050601	17
M400043	71	Slip Ring Assembly 44240201	75
M400056	69	Slip Ring Holder 44224401	75
M400057	71	Slot Card Plate Assembly 44089501	25, 37, 45
M400661	51	Snap Bushing M400770	83
M402797	19	M402542	103, 105
M402917	91, 93, 99, 103, 105	70178701	67
M405188	81	Spacer 70471701	71
M411072	73, 91, 93, 99	Spark Electrode 70032801P	81
M412985	69	70466501	81
05161	81	Spray Nozzle 70427801	65
23222	69, 73, 85	Spray Nozzle Hose 70427701	65
33562	103, 105	Spray Paint 286P4	63
38272	91, 93	297P4	63
39733	55, 59, 103, 105	298P4P	63
430497	39, 55, 61, 63, 65, 67, 69, 71, 73, 79, 81, 83, 85, 87, 91, 93, 99, 103, 105	Spud Adapter 70223501	85
430648	69	Stove Back 70396801	81
430757	51, 59	Stove Connectors Cover 70365201	87
431484	85	Stove Grill 70214901	87
44083001	91, 93	Stove Limit Bypass Harness 70316601	87
501086	95, 99		

N/A items do not appear in index.

Stove Limit Harness 70316501	81
Stove Partition 70357201	87
Stove Top and Sides 70396301	81
Street Elbow H86070034	83
Support Bearing 70448701	61
Support Rod 70464401	71
Switch 70411901	79
Switch Assembly 70413401	63
Switch Bracket 70356301	79
Switch Hole Plug 44057801B	55
44057801Q	55
44057801W	55

T

Tee 70428201	65
Temperature Knob 44104601	15
Temperature Selector Switch 511711	15
Temperature Selector Switch Bracket 70391701	15
Terminal Block M413865	103, 105
430642	91, 93, 99
Terminal Block Shield 70333001	91, 93, 99
Thermistor M414704	73
44064701	65, 67
Thermistor Plate 70424401	65
Thermostat Cover M414477	81
Top Pan 70376901	63
Top Panel 70375501	63
Transformer M414228P	91, 93, 99
M414229P	91, 93, 99
M414230P	91, 99
M414312P	91, 99
44074401	99
Trunnion and Seal Kit M4963P3	61
Trunnion and Wire Assembly 70454601	61
Tube Assembly 70427601	65
Tumbler Dolly Kit M4379P4	63

U

Union H86000031	85
Union Tee 70427901	65
USB Gateway Kit NK330	35, 37, 47

V

Valve Support Bracket 70451901	83
---	----

W

Warning Label M410892	53
44127701	93, 95, 99, 103, 105
Washer M400991	61, 73
M405535	71
70261401	63
70265901	69
70270301	69
70409301	51
70411301	61
Water Hose F200116	67
Wire Clip 36274	91, 93, 99
70366201	91, 93, 99
Wire Guard 201595P	27
Wireless Network Kit NK301	35, 37, 47

N/A items do not appear in index.

